

**IMPORTANT:**  
**Read Before Using**

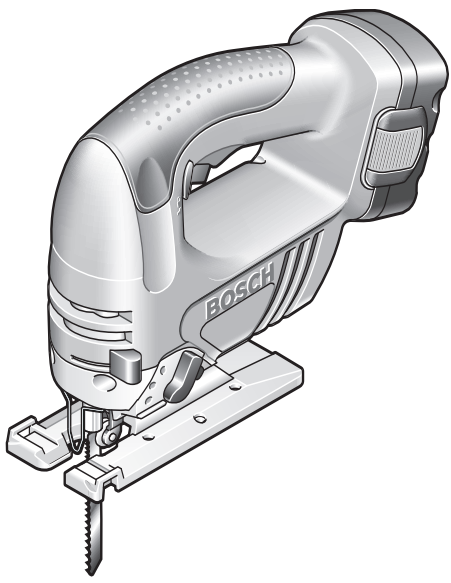
**IMPORTANT :**  
**Lire avant usage**

**IMPORTANTE:**  
**Leer antes de usar**



**Operating/Safety Instructions**  
**Consignes de fonctionnement/sécurité**  
**Instrucciones de funcionamiento y seguridad**

**52314**  
**52318**  
**52324**



**BOSCH**

**Call Toll Free**  
**for Consumer Information**  
**& Service Locations**

**Pour renseignement des**  
**consommateurs et centres**  
**de service, appelez au**  
**numéro gratuit :**

**Llame gratis para**  
**obtener información**  
**para el consumidor y**  
**ubicaciones de servicio**

**1-877-BOSCH99 (1-877-267-2499) [www.boschtools.com](http://www.boschtools.com)**

**For English**  
**See page 2**

**Parlez-vous français?**  
**Voir page 16**

**¿Habla español?**  
**Ver página 30**

## General Safety Rules

**⚠ WARNING** Read all instructions. Failure to follow all instructions listed below may result in electric shock, fire and/or serious injury. The term “power tool” in all of the warnings listed below refers to your mains-operated (corded) power tool or battery-operated (cordless) power tool.

### SAVE THESE INSTRUCTIONS

#### Work area safety

**Keep work area clean and well lit.** Cluttered or dark areas invite accidents.

**Do not operate power tools in explosive atmospheres, such as in the presence of flammable liquids, gases or dust.** Power tools create sparks which may ignite the dust or fumes.

**Keep children and bystanders away while operating a power tool.** Distractions can cause you to lose control.

#### Electrical safety

**Power tool plugs must match the outlet. Never modify the plug in any way. Do not use any adapter plugs with earthed (grounded) power tools.** Unmodified plugs and matching outlets will reduce risk of electric shock.

**Avoid body contact with earthed or grounded surfaces such as pipes, radiators, ranges and refrigerators.** There is an increased risk of electric shock if your body is earthed or grounded.

**Do not expose power tools to rain or wet conditions.** Water entering a power tool will increase the risk of electric shock.

**Do not abuse the cord. Never use the cord for carrying, pulling or unplugging the power tool. Keep cord away from heat, oil, sharp edges or moving parts.** Damaged or entangled cords increase the risk of electric shock.

**When operating a power tool outdoors, use an extension cord suitable for outdoor use.** Use of a cord suitable for outdoor use reduces the risk of electric shock.

**Do not use AC only rated tools with a DC power supply.** While the tool may appear to work, the electrical components of the AC rated tool are likely to fail and create a hazard to the operator.

**If operating the power tool in damp locations is unavoidable a Ground Fault Circuit Interrupter (GFCI) must be used to supply the power to your tool.** GFCI and personal protection devices like electrician's rubber gloves and footwear will further enhance your personal safety.

#### Personal safety

**Stay alert, watch what you are doing and use common sense when operating a power tool. Do not use a power tool while you are tired or under the influence of drugs, alcohol or medication.** A moment of inattention while operating power tools may result in serious personal injury.

**Use safety equipment. Always wear eye protection.** Safety equipment such as dust mask, non-skid safety shoes, hard hat, or hearing protection used for appropriate conditions will reduce personal injuries.

**Avoid accidental starting. Ensure the switch is in the off-position before plugging in.** Carrying power tools with your finger on the switch or plugging in power tools that have the switch on invites accidents.

**Remove any adjusting key or wrench before turning the power tool on.** A wrench or a key left attached to a rotating part of the power tool may result in personal injury.

**Do not overreach. Keep proper footing and balance at all times.** This enables better control of the power tool in unexpected situations.

**Dress properly. Do not wear loose clothing or jewelry. Keep your hair, clothing and gloves away from moving parts.** Loose clothes, jewelry or long hair can be caught in moving parts.

**If devices are provided for the connection of dust extraction and collection facilities, ensure these are connected and properly used.** Use of these devices can reduce dust-related hazards.

**Keep handles dry, clean and free from oil and grease.** Slippery hands cannot safely control the power tool.

**Power tool use and care**

**Do not force the power tool. Use the correct power tool for your application.**

The correct power tool will do the job better and safer at the rate for which it was designed.

**Do not use the power tool if the switch does not turn it on and off.** Any power tool that cannot be controlled with the switch is dangerous and must be repaired.

**Disconnect the plug from the power source and/or the battery pack from the power tool before making any adjustments, changing accessories, or storing power tools.** Such preventive safety measures reduce the risk of starting the power tool accidentally.

**Store idle power tools out of the reach of children and do not allow persons unfamiliar with the power tool or these instructions to operate the power tool.** Power tools are dangerous in the hands of untrained users.

**Maintain power tools. Check for misalignment or binding of moving parts, breakage of parts and any other condition that may affect the power tools operation. If damaged, have the power tool repaired before use.** Many accidents are caused by poorly maintained power tools.

**Keep cutting tools sharp and clean.** Properly maintained cutting tools with sharp cutting edges are less likely to bind and are easier to control.

**Use the power tool, accessories and tool bits etc., in accordance with these instructions and in the manner intended for the particular type of power tool, taking into account the working conditions and the work to be performed.** Use of the power tool for operations different from those intended could result in a hazardous situation.

**Use clamps or other practical way to secure and support the workpiece to a stable platform.** Holding the work by hand or against your body is unstable and may lead to loss of control.

**Battery tool use and care**

**Recharge only with the charger specified by the manufacturer.** A charger that is suitable for one type of battery pack may create a risk of fire when used with another battery pack.

**Use battery tools only with specifically designated battery packs.** Use of any other battery packs may create a risk of injury and fire.

**When battery pack is not in use, keep it away from other metal objects like paper clips, coins, keys, nails, screws, or other small metal objects that can make a connection from one terminal to another.** Shorting the battery terminals together may cause burns or a fire.

**Under abusive conditions, liquid may be ejected from the battery, avoid contact. If contact accidentally occurs, flush with water. If liquid contacts eyes, additionally seek medical help.** Liquid ejected from the battery may cause irritation or burns.

**Ensure the switch is in the off position before inserting battery pack.** Inserting the battery pack into power tools that have the switch on invites accidents.

**Service**

**Have your power tool serviced by a qualified repair person using only identical replacement parts.** This will ensure that the safety of the power tool is maintained.

**Develop a periodic maintenance schedule for your tool. When cleaning a tool be careful not to disassemble any portion of the tool since internal wires may be misplaced or pinched or safety guard return springs may be improperly mounted.** Certain cleaning agents such as gasoline, carbon tetrachloride, ammonia, etc. may damage plastic parts.

**SAVE THESE INSTRUCTIONS**

## Safety Rules for Cordless Jigsaws

**Hold tool by insulated gripping surfaces when performing an operation where the cutting tool may contact hidden wiring.** Contact with a "live" wire will make exposed metal parts of the tool "live" and shock the operator. Do not drill, fasten or break into existing walls or other blind areas where electrical wiring may exist. If this situation is unavoidable, disconnect all fuses or circuit breakers feeding this worksite.

**Disconnect battery pack from tool or place the switch in the locked or off position before making any assembly, adjustments or changing accessories.** Such preventive safety measures reduce the risk of starting the tool accidentally.

**Never leave the trigger locked "ON". Before inserting the battery pack, check that the trigger lock is "OFF".** Accidental start-ups could cause injury.

**Keep hands away from cutting area. Do not reach under the material being cut.** The proximity of the blade to your hand is hidden from your sight.

**Keep hands from between the gear housing and saw blade holder.** The reciprocating blade holder can pinch your fingers.

**Do not use dull or damaged blades.** Bent blade can break easily or cause kickback.

**Before starting to cut, turn tool "ON" and allow the blade to come to full speed.** Tool can chatter or vibrate if blade speed is too slow at beginning of cut and possibly kickback.

**Secure material before cutting. Never hold it in your hand or across legs.** Small or thin material may flex or vibrate with the blade, causing loss of control.

**Make certain all adjusting screws and the blade holder are tight before making a cut.** Loose adjusting screws and holders can cause the tool or blade to slip and loss of control may result.

**When removing the blade from the tool avoid contact with skin and use proper protective gloves when grasping the blade or accessory.** Accessories may be hot after prolonged use.

**⚠ WARNING** Some dust created by power sanding, sawing, grinding, drilling, and other construction activities contains chemicals known to cause cancer, birth defects or other reproductive harm. Some examples of these chemicals are:

- Lead from lead-based paints,
- Crystalline silica from bricks and cement and other masonry products, and
- Arsenic and chromium from chemically-treated lumber.

Your risk from these exposures varies, depending on how often you do this type of work. To reduce your exposure to these chemicals: work in a well ventilated area, and work with approved safety equipment, such as those dust masks that are specially designed to filter out microscopic particles.

### Battery/Charger

**Before using battery charger, read all instructions and cautionary markings on (1) battery charger, (2) battery pack, and (3) product using battery.**

**Use only the charger which accompanied your product or direct replacement as listed in the catalog or this manual.** Do not substitute any other charger. Use only Bosch approved chargers with your product. See Functional Description and Specifications.

**Do not disassemble charger or operate the charger if it has received a sharp blow, been dropped or otherwise damaged in**

**any way. Replace damaged cord or plugs immediately.** Incorrect reassembly or damage may result in electric shock or fire.

**Do not recharge battery in damp or wet environment. Do not expose charger to rain or snow. If battery case is cracked or otherwise damaged, do not insert into charger.** Battery short or fire may result.

**Charge only Bosch approved rechargeable batteries.** See Functional Description and Specifications. Other types of batteries may burst causing personal injury and damage.

**Charge battery pack in temperatures above +40 degrees F (4 degrees C) and below +105 degrees F (41 degrees C). Store tool and battery pack in locations where temperatures will not exceed 120 degrees F (49 degrees C).** This is important to prevent serious damage to the battery cells.

**Battery leakage may occur under extreme usage or temperature conditions. Avoid contact with skin and eyes.** The battery liquid is caustic and could cause chemical burns to tissues. If liquid comes in contact with skin, wash quickly with soap and water, then with lemon juice or vinegar. If the liquid contacts your eyes, flush them with water for a minimum of 10 minutes and seek medical attention.

**Place charger on flat non-flammable surfaces and away from flammable materials when re-charging battery pack.**

The charger and battery pack heat during charging. Carpeting and other heat insulating surfaces block proper air circulation which may cause overheating of the charger and battery pack. If smoke or melting of the case are observed unplug the charger immediately and do not use the battery pack or charger.

**Use of an attachment not recommended or sold by Bosch may result in a risk of fire, electric shock or injury to persons.**

### Battery Care

**⚠ WARNING** When batteries are not in tool or charger, keep them away from metal objects. For example, to protect terminals from shorting **DO NOT** place batteries in a tool box or pocket with nails, screws, keys, etc. Fire or injury may result.

**⚠ WARNING** To prevent fire or injury when batteries are not in tool or charger, always place protective cap onto end of battery pack. Protective cap, guards against terminal shorting.

**DO NOT PUT BATTERIES INTO FIRE OR EXPOSE TO HIGH HEAT.** They may explode.

### Battery Disposal

**⚠ WARNING** Do not attempt to disassemble the battery or remove any component projecting from the battery terminals. Fire or injury may result. Prior to disposal, protect exposed terminals with heavy insulating tape to prevent shorting.

#### NICKEL-CADMIUM BATTERIES

If equipped with a nickel-cadmium battery, the battery must be collected, recycled or disposed of in an environmentally sound manner.



“The EPA certified RBRC Battery Recycling Seal on the nickel-cadmium (Ni-Cd) battery indicates Robert Bosch Tool Corporation is voluntarily participating in an industry program to collect and recycle these

batteries at the end of their useful life, when taken out of service in the United States or Canada. The RBRC program provides a convenient alternative to placing used Ni-Cd batteries into the trash or the municipal waste stream, which may be illegal in your area.


Please call 1-800-8-BATTERY for information on Ni-Cd battery recycling and disposal bans/restrictions in your area, or return your batteries to a Skil/Bosch/Dremel Service Center for recycling. Robert Bosch Tool Corporation's involvement in this program is part of our commitment to preserving our environment and conserving our natural resources.”


#### NICKEL-METAL HYDRIDE BATTERIES


If equipped with a nickel-metal hydride battery, the battery can be disposed of in a municipal solid waste stream.

## Symbols

**IMPORTANT:** Some of the following symbols may be used on your tool. Please study them and learn their meaning. Proper interpretation of these symbols will allow you to operate the tool better and safer.

Symbol	Name	Designation/Explanation
V	Volts	Voltage (potential)
A	Amperes	Current
Hz	Hertz	Frequency (cycles per second)
W	Watt	Power
kg	Kilograms	Weight
min	Minutes	Time
s	Seconds	Time
∅	Diameter	Size of drill bits, grinding wheels, etc.
n <sub>0</sub>	No load speed	Rotational speed, at no load
.../min	Revolutions or reciprocation per minute	Revolutions, strokes, surface speed, orbits etc. per minute
0	Off position	Zero speed, zero torque...
1, 2, 3, ... I, II, III,	Selector settings	Speed, torque or position settings. Higher number means greater speed
0 ▽	Infinitely variable selector with off	Speed is increasing from 0 setting
→	Arrow	Action in the direction of arrow
~	Alternating current	Type or a characteristic of current
≡	Direct current	Type or a characteristic of current
⎓	Alternating or direct current	Type or a characteristic of current
□	Class II construction	Designates Double Insulated Construction tools.
⊕	Earthing terminal	Grounding terminal
⚠	Warning symbol	Alerts user to warning messages
	Ni-Cad RBRC seal	Designates Ni-Cad battery recycling program


 This symbol designates that this tool is listed by Underwriters Laboratories.

 This symbol designates that this tool is listed to Canadian Standards by Underwriters Laboratories.



This symbol designates that this tool complies to NOM Mexican Standards.

 This symbol designates that this tool is listed by the Canadian Standards Association.

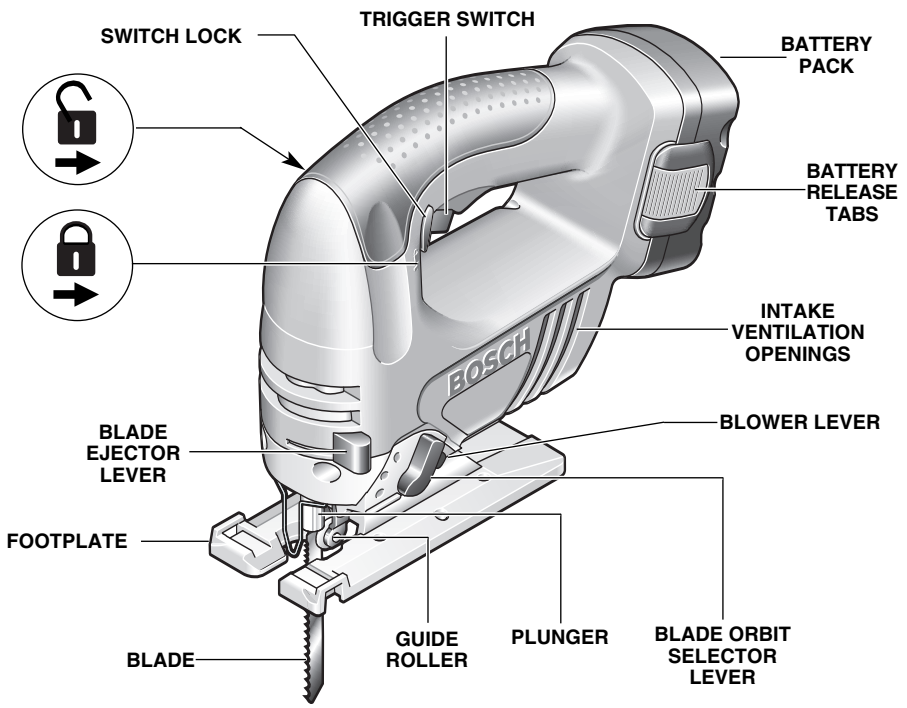
 This symbol designates that this tool is listed by Underwriters Laboratories, and listed to Canadian Standards by Underwriters Laboratories.

## Functional Description and Specifications

**⚠ WARNING** Disconnect battery pack from tool or place the switch in the locked or off position before making any assembly, adjustments or changing accessories. Such preventive safety measures reduce the risk of starting the tool accidentally.

### Cordless Jigsaws

**FIG. 1**



<b>Model number</b>	52314	52318	52324
<b>Voltage rating</b>	14.4 V $\equiv$	18 V $\equiv$	24 V $\equiv$
<b>No load speed</b>	$n_0$ 0-2000/min	$n_0$ 0-2000/min	$n_0$ 0-2000/min
<b>Maximum Capacities</b>			
<b>Stroke length</b>	1"	1"	1"
<b>Wood</b>	2-1/2"	2-5/8"	2-3/4"
<b>Aluminium</b>	3/8"	7/16"	1/2"
<b>Mild steel</b>	3/32"	3/32"	1/8"
<b>Charger</b>	BC001-6 & BC016 BC130 & BC230	BC003, 4, 6, & BC016 BC130 & BC230	BC004, 6, & BC016 BC130 & BC230
<b>Voltage rating</b>	120 V $\sim$ 60 Hz	120 V $\sim$ 60 Hz	120 V $\sim$ 60 Hz
<b>Battery pack</b>	BAT038 thru BAT040 BAT140 thru BAT159	BAT025 & BAT026 BAT160 thru BAT189	BAT030 & BAT031 BAT240 thru BAT299

BC006 charger requires 12 V DC input

**NOTE: ONLY USE CHARGERS LISTED ABOVE**

## Assembly

### BLADE INSTALLATION AND REMOVAL

This jigsaw is equipped with the Bosch "Clic" toolless blade changing system. This system makes changing blades simple and fast.

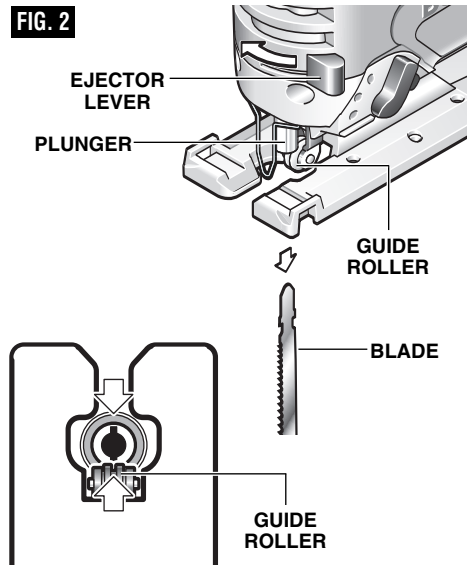
Insert the saw blade (teeth in cutting direction) until it latches in the plunger. When inserting the saw blade, the back of the blade must rest in the groove of the guide roller (Fig. 2).

**Note:** If the saw blade cannot be inserting into the plunger, the slots of the blade holder are not positioned as shown, push the blade ejector lever briefly to the front and release.

To change the saw blade, push the ejector lever to the center stop; this releases the saw blade and it is ejected.

When changing the blade, tool should be held so that the blade is safely ejected.

**FIG. 2**



### ATTACHING NON-MARRING OVERSHOE

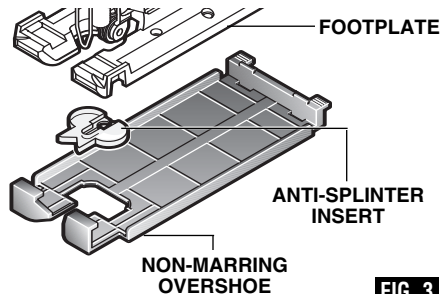
Your tool is equipped with a protective plastic overshoe that protects finer surfaces.

To attach, hook overshoe over front of metal footplate and snap into place at rear of footplate (Fig. 3).

### ANTI-SPLINTER INSERT

To minimize splintering of the top surface of the material being cut, place the anti-splinter insert in the blade opening of the footplate, or the non-marring overshoe.



**Note:** This insert will only work with blades that have ground sides such as T301CD, TB1B, T101D, and T101DP.



**FIG. 3**

## Operating Instructions

### SWITCH LOCK

The switch lock is designed to prevent accidental starts. To operate switch, press the switch lock button with your thumb to the unlock  symbol. To lock the switch, press the switch lock button to the lock  symbol (Fig. 1).

### VARIABLE SPEED CONTROLLED TRIGGER SWITCH

Your tool is equipped with a variable speed trigger switch. The tool can be turned "ON" or "OFF" by

squeezing or releasing the trigger. The speed can be adjusted from the minimum to maximum nameplate SPM by the pressure you apply to the trigger. Apply more pressure to increase the speed and release pressure to decrease speed (Fig. 1).

### BRAKE

When the trigger is released it activates the electrical brake to stop the blade quickly. This feature is especially useful when making repetitive cuts.



### BLADE ORBIT SELECTOR LEVER

Maximum cutting efficiency can be obtained by adjusting the blade orbit selector lever to suit the material being cut.

The following chart will help you determine which setting to use for your application. This chart is intended as a guideline only, and test cuts in scrap material should be performed first to determine the best setting.

	<p><b>Setting 0</b> Hard materials such as metals or thin sheet metals. This setting can be used with knife blades, grit edge blades, rasp work, and down cutting blades.</p>
	<p><b>Setting 1</b> Soft materials where cleaner cutting or delicate scrolling work is performed.</p>
	<p><b>Setting 2</b> Medium density materials such as harder woods or particle board.</p>
	<p><b>Setting 3</b> Soft materials such as wood, plastics, etc. and when fast cutting is more important than a clean cut</p>

### CHIP BLOWER

Your is equipped with a two position chip blower to help keep the cutting line clear of chips.

By adjusting the chip blower lever the force of the discharge air may be altered as follows;



#### BLOWER SWITCHED ON

For working with wood, plastic and similar materials that produce large amounts of sawdust.



#### BLOWER SWITCHED OFF

For working with metals and when cooling agents are used.

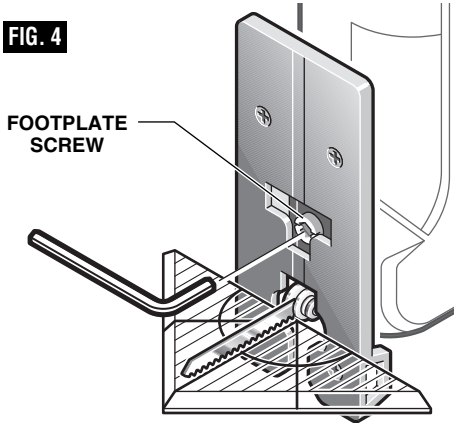
### FOOTPLATE ANGLE ADJUSTMENT

The footplate may be tilted to allow angle cuts up to 45° in either direction.

To adjust footplate, loosen screw with allen wrench provided, slide the footplate slightly forward towards the front of tool, then rotate to desired angle. The detent slots will hold the footplate firmly at 45°, and there are

additional position marks for 15° and 30° angles. Intermediate angles may be set with a protractor. After positioning the footplate securely tighten screw (Fig. 4).

**FIG. 4**



### FLUSH CUTTING

To allow the saw to make a perpendicular cut close to a vertical surface, the footplate may be repositioned as follows.

Loosen screw, move the footplate back in the 0° alignment slot, and securely tighten screw. Note that when the footplate is retracted in this manner, only 90° cuts are possible, and the optional cutting guide and anti-splinter insert guide may not be used.

### TOOL TIPS

Always be certain that smaller workpieces are securely fastened to a bench or other support. Larger panels may be held in place by clamps on a bench or sawhorses.

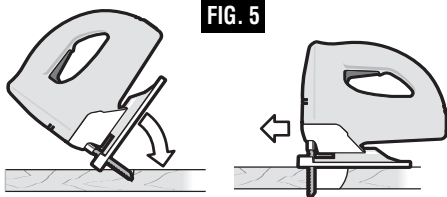
To begin a cut, clearly mark the cutting line, and rest the front of the footplate on the work. Engage the switch, and move the blade into the work using only enough forward pressure to keep the blade cutting steadily. Do not force, as this will not make the saw cut faster; let the blade do the work.

Choose blades carefully, as the ability of the jigsaw to follow curves, provide smother finishes, or faster cutting is directly related to the type of blade used.

### PLUNGE CUTTING

Plunge cutting is useful and time-saving in making rough openings in softer materials. It is not necessary to drill a hole for an inside or pocket cut. Draw lines for the opening, hold the saw firmly, tilt it forward so that the toe of

the saw foot rests on the work, but with the blade well clear of the work. Start the motor, and then very gradually lower the blade. When it touches, continue pressing down on the toe of the saw foot slowly pivoting the saw like a hinge until the blade cuts through and the foot rests flat on the work. Then saw ahead on the line of cut line. We do not recommend plunge cutting with a scroll blade (Fig. 5).



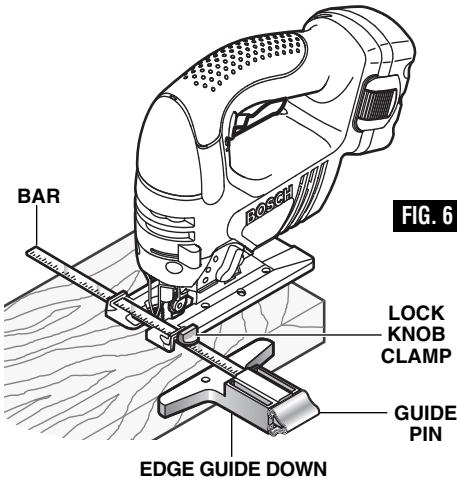
To make sharp corners, cut up to the corner, then back up slightly before rounding the corner. After the opening is complete, go back to each corner and cut it from the opposite direction to square it off. Do not try to plunge cut into hard materials such as steel.

**CIRCLE AND PARALLEL CUTTING GUIDE**

This accessory is available at an extra cost. It is used for fast and accurate straight and circle cutting (Fig. 6).

**ATTACHING GUIDE**

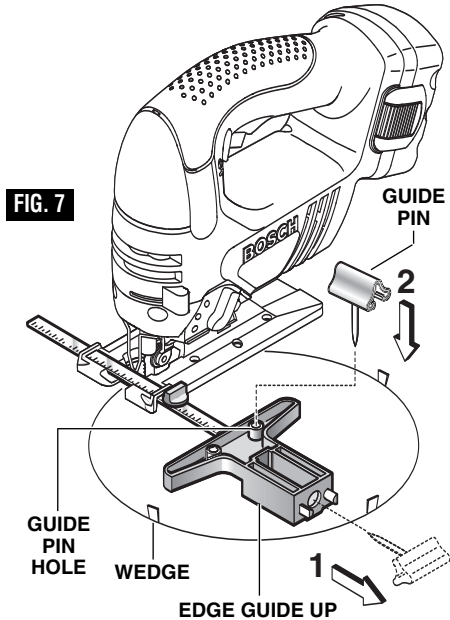
1. Insert bar of guide through lock knob clamp, then through the slots provided in foot, from either side of foot with the edge guide facing down (Fig. 6).



2. Hook lock knob clamp onto edge of footplate, adjust fence to desired width, and securely tighten lock knob clamp.

**CIRCLE CUTTING**

1. Before attaching the guide, draw a circle and predrill a 13/64" center hole in workpiece.
2. Drill or plunge cut near the circles edge, turn saw off and move the switch lock to the lock position.
3. Attach guide to saw with edge guide facing UP as shown (Fig. 7).
4. Remove guide pin from end of guide, push pin through hole provided in guide, then into center hole of workpiece.



5. Measure the distance from the selected hole to the blade to be equal to the circle radius.

6. Move switch lock to the unlock position, hold the saw firmly, squeeze trigger and slowly push the saw forward. To make a hole, cut from inside the circle; To make wheels or discs, cut from the outside.

Cutting Tip: Cut slowly so the blade will stay straight in the cut. Place small wedges in the cut as shown in Fig. 7, to keep the inner circle from spreading when near the end of the cut.

## RELEASING AND INSERTING BATTERY PACK

Release battery pack from tool by pressing on both sides of the battery release tabs and pull downwards. Before inserting battery pack, remove protective cap from battery

pack. To insert battery, align battery and slide battery pack into tool until it locks into position. Do not force.

## IMPORTANT CHARGING NOTES

1. The battery pack accepts only about 80% of its maximum capacity with its first few charge cycles. However, after the first few charge cycles, the battery will charge to full capacity.
2. The charger was designed to fast charge the battery only when the battery temperature is between 40°F (4°C) and 105°F (41°C).
3. A substantial drop in operating time per charge may mean that the battery pack is nearing the end of its life and should be replaced.
4. If you anticipate long periods (i.e. a month or more) of non-use of your tool, it is best to run your tool down until it is fully discharged before storing your battery pack. After a long period of storage, the capacity at first recharge will be lower. Normal capacity will be restored in two or three charge/discharge cycles.

Remember to unplug charger during storage period.

5. If battery does not charge properly:

- a. Check for voltage at outlet by plugging in some other electrical device.
- b. Check to see if outlet is connected to a light switch which turns power "off" when lights are turned off.
- c. Check battery pack terminals for dirt. Clean with cotton swab and alcohol if necessary.
- d. If you still do not get proper charging, take or send tool, battery pack and charger to your local Bosch Service Center. See "Tools, Electric" in the Yellow Pages for names and addresses.

**Note:** Use of charger's or battery packs not sold by Bosch will void the warranty.

## CHARGING BATTERY PACK (30 MINUTE SINGLE BAY-BC130)

### INDICATORS, SYMBOLS AND MEANING

If the indicator lights are "OFF", the charger is not receiving power from power supply outlet.



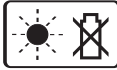
If the green indicator light is "ON", the charger is plugged in but the battery pack is not inserted, or the battery pack is fully charged and is being trickle charged.



If the green indicator light is "BLINKING", the battery pack is being fast-charged. Fast-charging will automatically stop when the battery pack is fully charged.



If the red indicator light is "ON", the battery pack is too hot or cold for fast-charging. The charger will switch to trickle charge, until a suitable temperature is reached, at which time the charger will switch automatically to fast-charging.



If the red indicator light is "BLINKING", the battery pack cannot accept a charge or the contacts of the charger or battery pack are contaminated. Clean the contacts of the charger or battery pack only as directed in these operating instructions or those supplied with your tool or battery pack.

Plug charger cord into your standard power outlet. Before inserting battery pack, remove protective cap, then insert battery pack into charger (Fig. 8).

The charger's green indicator light will begin to "BLINK". This indicates that the battery is receiving a fast charge. Fast-charging will automatically stop when the battery pack is fully charged.

When the indicator light stops "BLINKING" (and becomes a steady green light) fast charging is complete.

The battery pack may be used even though the light may still be blinking. The light may require more time to stop blinking depending on temperature. When you begin the charging process of the battery pack, a steady red light

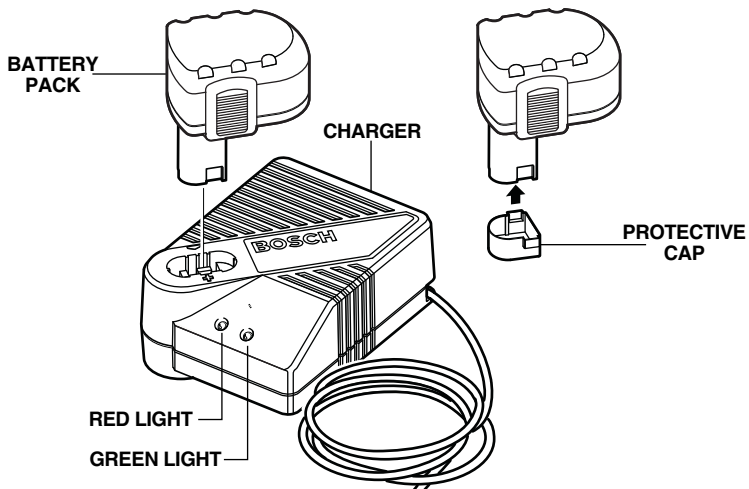
could also mean the battery pack is too hot or too cold.

The purpose of the green light is to indicate that the battery pack is fast-charging. It does not indicate the exact point of full charge. The light will stop blinking in less time if the battery pack was not completely discharged.

When charging several batteries in sequence, the charge time may slightly increase.

When the battery pack is fully charged, unplug the charger (unless you're charging another battery pack) and slip the battery pack back into the tool.

To prevent fire or injury when batteries are not in tool or charger, always place protective cap onto end of battery pack.



**FIG. 8**

### CHARGING BATTERY PACK (30 MINUTE DUAL BAY-BC230)

#### INDICATORS, SYMBOLS AND MEANING

If the indicator lights are "OFF", the charger is not receiving power from power supply outlet.



If the red indicator light is "ON", the battery pack is too hot or cold for fast-charging. The charger will switch to trickle charge, until a suitable temperature is reached, at which time the charger will switch automatically to fast-charging.



If the red indicator light is "BLINKING", the battery pack cannot accept a charge or the contacts of the charger or battery pack

are contaminated. Clean the contacts of the charger or battery pack only as directed in these operating instructions or those supplied with your tool or battery pack.



If the green indicator light is "BLINKING", the battery pack is being fast-charged. Fast-charging will automatically stop when the battery pack is fully charged.



If the green indicator light is "ON", the charger is plugged in but the battery pack is not inserted, or the battery pack is fully charged and is being trickle charged.

Plug charger cord into your standard power outlet. Before inserting battery pack, remove protective cap, then insert battery pack into charger (Fig. 9).

The charger's green indicator light will begin to "BLINK". This indicates that the battery is receiving a fast charge. Fast-charging will automatically stop when the battery pack is fully charged.

When the indicator light stops "BLINKING" (and becomes a steady green light) fast charging is complete.

The battery pack may be used even though the light may still be blinking. The light may require more time to stop blinking depending on temperature. When you begin the charging process of the battery pack, a

steady red light could also mean the battery pack is too hot or too cold.

The purpose of the green light is to indicate that the battery pack is fast-charging. It does not indicate the exact point of full charge. The light will stop blinking in less time if the battery pack was not completely discharged.

When charging several batteries in sequence, the charge time may slightly increase.

When the battery pack is fully charged, unplug the charger (unless you're charging another battery pack) and slip the battery pack back into the tool.

To prevent fire or injury when batteries are not in tool or charger, always place protective cap onto end of battery pack.

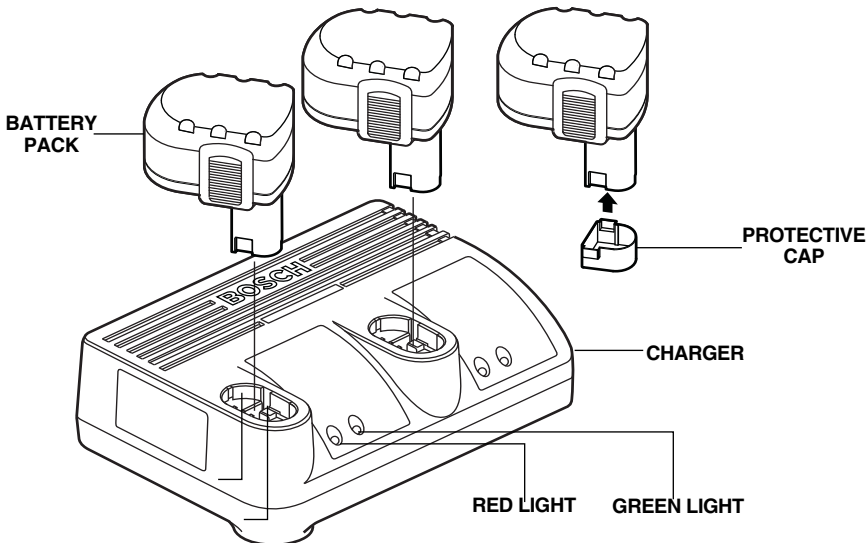



FIG. 9


### CHARGING BATTERY PACK (1 HOUR CHARGER)

#### INDICATORS, SYMBOLS AND MEANING

If the indicator lights are "OFF", the charger is not receiving power from power supply outlet.

 If the green indicator light is "ON", the charger is plugged in but the battery pack is not inserted, or the battery pack is fully charged and is being trickle charged, or the battery pack is too hot or cold for fast-charging. The charger will

switch to trickle charge, until a suitable temperature is reached, at which time the charger will switch automatically to fast-charging.

 If the green indicator light is "BLINKING", the battery pack is being fast-charged. Fast-charging will automatically stop when the battery pack is fully charged.

### CHARGING BATTERY PACK (1 HOUR CHARGER)

Plug charger cord into your standard power outlet. Before inserting battery pack, remove protective cap, then insert battery pack into charger (Fig. 10).

The charger's green indicator will begin to "BLINK". This indicates that the battery is receiving a fast charge. Fast-charging will automatically stop when the battery pack is fully charged.

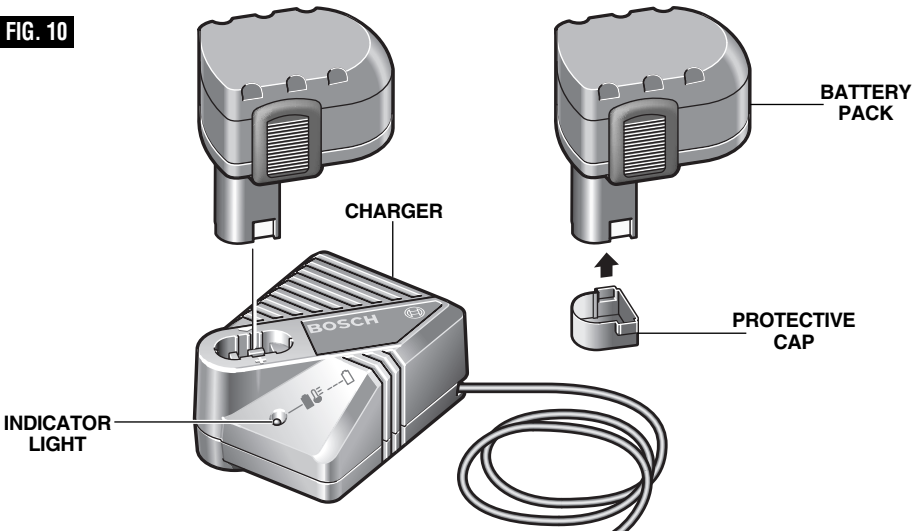
When the indicator light stops "BLINKING" (and becomes a steady green light) fast charging is complete.

When you begin the charging process of the battery pack, a steady green light could also mean the battery pack is too hot or too cold.

The purpose of the light is to indicate that the battery pack is fast-charging. It does not indicate the exact point of full charge. The light will stop blinking in less time if the battery pack was not completely discharged.

When the battery pack is fully charged, unplug the charger (unless you're charging another battery pack) and slip the battery pack back into the tool handle (Fig.8).

**FIG. 10**



## Maintenance

### Service

**⚠ WARNING** **NO USER SERVICE-ABLE PARTS INSIDE. Preventive maintenance performed by unauthorized personnel may result in misplacing of internal wires and components which could cause serious hazard.** We recommend that all tool service be performed by a Bosch Factory Service Center or Authorized Bosch Service Station. **SERVICEMEN:** Disconnect tool and/or charger from power source before servicing.

### BATTERIES

**Be alert for battery packs that are nearing their end of life.** If you notice decreased tool performance or significantly shorter running time between charges then it is time to replace the battery pack. Failure to do so can cause the tool to operate improperly or damage the charger.

**Long term battery storage should be in the discharged state.** Battery packs last longer and re-charge better when they are stored discharged. Remember to fully re-charge battery packs before using after prolonged storage.

### TOOL LUBRICATION

Your Bosch tool has been properly lubricated and is ready for use.

### D.C. MOTORS

The motor in your tool has been engineered for many hours of dependable service. To maintain peak efficiency of the motor, we recommend it be examined every six months. Only a genuine Bosch replacement motor specially designed for your tool should be used.

### Cleaning

**⚠ WARNING** **To avoid accidents, always disconnect the tool and/or charger from the power supply before cleaning.** The tool may be cleaned most effectively with compressed dry air. **Always wear safety goggles when cleaning tools with compressed air.**

Ventilation openings and switch levers must be kept clean and free of foreign matter. Do not attempt to clean by inserting pointed objects through opening.

**⚠ CAUTION** **Certain cleaning agents and solvents damage plastic parts.** Some of these are: gasoline, carbon tetrachloride, chlorinated cleaning solvents, ammonia and household detergents that contain ammonia.

## Accessories

**⚠ WARNING** **If an extension cord is necessary, a cord with adequate size conductors that is capable of carrying the current necessary for your tool must be used.** This will prevent excessive voltage drop, loss of power or overheating. Grounded tools must use 3-wire extension cords that have 3-prong plugs and receptacles.

**NOTE:** The smaller the gauge number, the heavier the cord.

**RECOMMENDED SIZES OF EXTENSION CORDS  
120 VOLT ALTERNATING CURRENT TOOLS**

Tool's Ampere Rating	Cord Size in A.W.G.				Wire Sizes in mm <sup>2</sup>			
	Cord Length in Feet				Cord Length in Meters			
	25	50	100	150	15	30	60	120
3-6	18	16	16	14	0.75	0.75	1.5	2.5
6-8	18	16	14	12	0.75	1.0	2.5	4.0
8-10	18	16	14	12	0.75	1.0	2.5	4.0
10-12	16	16	14	12	1.0	2.5	4.0	—
12-16	14	12	—	—	—	—	—	—

(\* = standard equipment)  
(\*\* = optional accessories)

- \* Carrying case (Model 52324 only)
- \*\* Circle and parallel cutting guide

- \*\* 15 minute charger
- \*\* 30 minute charger (single bay)
- \*\* 30 minute charger (dual bay)
- \*\* 1 hour charger

## Consignes générales de sécurité

**AVERTISSEMENT** Veuillez lire et comprendre toutes les consignes. Si on n'observe pas toutes les consignes décrites ci-dessous, il y a risque de choc électrique, d'incendie et/ou de blessures corporelles graves. Dans toutes les mises en garde ci-dessous, le terme « outil électroportatif » se rapporte à des outils branchés sur le secteur (avec fil) ou à des outils alimentés par piles (sans fil).

### CONSERVEZ CES CONSIGNES

#### Sécurité du lieu de travail

**Maintenez le lieu de travail propre et bien éclairé.** Les risques d'accident sont plus élevés quand on travaille dans un endroit encombré ou sombre.

**N'utilisez pas d'outils électroportatifs dans des atmosphères explosives, comme par exemple en présence de gaz, de poussières ou de liquides inflammables.** Les outils électroportatifs produisent des étincelles qui risquent d'enflammer les poussières ou les vapeurs.

**Éloignez les enfants et les visiteurs quand vous vous servez d'un outil électroportatif.** Vous risquez une perte de contrôle si on vous distrait.

#### Sécurité électrique

**Les fiches des outils électroportatifs doivent correspondre à la prise. Il ne faut absolument jamais modifier la fiche. N'utilisez pas d'adaptateur de prise avec des outils électroportatifs munis d'une fiche de terre.** Le risque de choc électrique est moindre si on utilise une fiche non modifiée sur une prise qui lui correspond.

**Évitez tout contact du corps avec des surfaces reliées à la terre tels que tuyaux, radiateurs, gazinières ou réfrigérateurs.** Le risque de choc électrique augmente si votre corps est relié à la terre.

**N'exposez pas les outils électroportatifs à la pluie ou à l'humidité.** Si de l'eau pénètre dans un outil électroportatif, le risque de choc électrique augmente.

**Ne maltraitez pas le cordon. Ne vous en servez jamais pour transporter l'outil électroportatif, pour le tirer ou pour le débrancher. Éloignez le cordon de la chaleur, des huiles, des arêtes coupantes ou des pièces mobiles.** Les cordons abîmés ou emmêlés augmentent les risques de choc électrique.

**Si vous utilisez un outil électroportatif à l'extérieur, employez une rallonge conçue pour l'extérieur.** Ces rallonges sont faites pour l'extérieur et réduisent le risque de choc électrique.

**N'utilisez pas un outil conçu uniquement pour le C.A. sur une alimentation en C.C.** Même si l'outil semble fonctionner, les composants électriques d'un outil prévu pour le C.A. tomberont probablement en panne et risquent de créer un danger pour l'utilisateur.

**S'il est nécessaire d'utiliser l'outil dans un lieu humide, il faut l'alimenter par l'intermédiaire d'un**

**disjoncteur différentiel de fuite à la terre (DDFT).** L'emploi d'un DDFT et de dispositifs de protection personnelle tels que gants et chaussures d'électricien en caoutchouc améliorent votre sécurité personnelle.

#### Sécurité personnelle

**Restez concentré, faites attention à ce que vous faites, et servez-vous de votre bon sens lorsque vous utilisez un outil électroportatif. N'employez pas d'outils électroportatifs quand vous êtes fatigué ou sous l'emprise de drogues, d'alcool ou de médicaments.** Quand on utilise des outils électroportatifs, il suffit d'un moment d'inattention pour causer des blessures corporelles graves.

**Utilisez des équipements de sécurité. Portez toujours une protection oculaire.** Si les conditions le demandent, il faut porter un masque à poussière, des chaussures de sécurité antidérapantes, un casque de chantier ou une protection auditive pour réduire le risque de blessure corporelle.

**Évitez les démarrages intempestifs. Assurez-vous que l'interrupteur est en position arrêt (OFF) avant de brancher l'outil.** Transporter un outil électroportatif avec le doigt sur la gâchette ou le brancher quand l'interrupteur est en position "marche" (ON) présente des risques d'accident.

**Enlevez toutes les clés de réglage avant de mettre l'outil électroportatif en marche.** Si on laisse une clé sur une pièce tournante de l'outil électroportatif, il y a risque de blessure corporelle.

**Ne vous penchez pas. Conservez toujours une bonne assise et un bon équilibre.** Ceci vous permettra de mieux maîtriser l'outil électroportatif dans des situations inattendues.

**Habillez-vous de manière appropriée. Ne portez pas de vêtements amples ou de bijoux. Attachez les cheveux longs. N'approchez pas les cheveux, les vêtements ou les gants des pièces en mouvement.** Les vêtements amples, les bijoux ou les cheveux longs risquent d'être happés par les pièces en mouvement.

**Si l'outil est muni de dispositifs permettant le raccordement d'un système d'aspiration et de collecte des poussières, assurez-vous que ces dispositifs sont raccordés et utilisés correctement.** L'utilisation de ces dispositifs peut permettre de réduire les dangers liés à la poussière.



**Maintenez les poignées sèches et exemptes d'huile et de graisse.** On ne peut pas maîtriser un outil électroportatif en toute sécurité quand on a les mains glissantes.

### **Utilisation et entretien des outils électroportatifs**

**Ne forcez pas sur l'outil électroportatif. Utilisez l'outil électroportatif qui convient à la tâche à effectuer.** L'outil qui convient à la tâche fait un meilleur travail et est plus sûr à la vitesse pour lequel il a été conçu.

**Ne vous servez pas de l'outil électroportatif si son interrupteur ne parvient pas à le mettre en marche ou à l'arrêter.** Tout outil électroportatif qui ne peut pas être commandé par son interrupteur est dangereux et doit être réparé.

**Débranchez la fiche de la prise ou enlevez la bloc-pile de l'outil électroportatif avant tout réglage, changement d'accessoires ou avant de ranger l'outil électroportatif.** De telles mesures de sécurité préventive réduisent le risque de démarrage intempestif de l'outil électroportatif.

**Rangez les outils électroportatifs dont vous ne vous servez pas hors de portée des enfants et ne permettez pas à des personnes qui ne connaissent pas l'outil électroportatif ou qui ignorent ces consignes de s'en servir.** Les outils électroportatifs sont dangereux dans les mains d'utilisateurs inexpérimentés.

**Entretenez les outils électroportatifs. Vérifiez que les pièces mobiles sont alignées correctement et ne coincent pas. Vérifiez qu'il n'y a pas de pièces cassées ou d'autre circonstance qui risquent d'affecter le fonctionnement de l'outil électroportatif. Si l'outil est abîmé, faites-le réparer avant de l'utiliser.** De nombreux accidents sont causés par des outils électroportatifs mal entretenus.

**Maintenez les outils coupants affûtés et propres.** Les outils coupants entretenus correctement et dotés de bords tranchants affûtés sont moins susceptibles de coincer et sont plus faciles à maîtriser.

**Utilisez l'outil électroportatif, les accessoires, les embouts etc. selon ces consignes et de la manière prévue pour chaque type particulier d'outil électroportatif en tenant compte des conditions de travail et de la tâche à accomplir.** L'emploi d'outils électroportatifs pour des tâches différentes de celles pour lesquelles ils ont été prévus peut résulter en une situation dangereuse.

**Utilisez des brides ou d'autres moyens pratiques de brider ou de supporter la pièce sur une plate-forme stable.** Tenir la pièce à la main ou contre le corps est instable et risque de résulter en une perte de contrôle.

### **Utilisation et entretien des outils à piles**

**Rechargez les piles uniquement avec le chargeur spécifié par le fabricant.** Un chargeur qui convient à un type de bloc-piles peut entraîner un risque d'incendie quand il est utilisé avec un autre bloc-piles.

**Utilisez des outils alimentés par piles uniquement avec les blocs-piles spécifiquement désignés pour eux.** L'utilisation de tout autre bloc-piles peut créer un risque de blessures et d'incendie.

**Lorsque le bloc-piles n'est pas utilisé, gardez-le à distances d'autres objets métalliques tels que des trombones, des pièces de monnaie, des clés, des clous, des vis ou de tout autre objet métallique pouvant faire une connexion entre une borne et une autre.** Court-circuiter les bornes des piles peut causer des brûlures ou un incendie.

**Dans des conditions abusives, du liquide peut être éjecté de la pile ; dans un tel cas, évitez tout contact avec ce liquide. Si un contact se produit accidentellement, rincez avec de l'eau. Si le liquide entre en contact avec les yeux, consultez un médecin.** Du liquide éjecté de la pile peut causer des irritations ou des brûlures.

**Veillez à ce que l'interrupteur soit dans la position de fermeture avant d'insérer le bloc-piles.** L'insertion d'un bloc-piles dans un outil électroportatif dont l'interrupteur est dans la position de marche est une invite aux accidents.

### **Entretien**

**Faites réparer votre outil électroportatif par un agent de service qualifié n'utilisant que des pièces de rechange identiques.** Ceci assure que la sécurité de l'outil électroportatif est préservée.

**Créez un agenda d'entretien périodique pour votre outil. Quand vous nettoyez un outil, faites attention de n'en démonter aucune pièce car il est toujours possible de mal remonter ou de pincer les fils internes ou de remonter incorrectement les ressorts de rappel des capots de protection.** Certains agents de nettoyage tels que l'essence, le tétrachlorure de carbone, l'ammoniaque, etc. risquent d'abîmer les plastiques.

**CONSERVEZ CES INSTRUCTIONS**

## Règles de sécurité concernant les scies sauteuses

**Tenez l'outil par les surfaces isolées de préhension en exécutant une opération au cours de laquelle l'outil de coupe peut venir en contact avec les fils cachés.** Le contact avec un fil sous tension rendra les pièces métalliques exposées de l'outil sous tension et causera des chocs à l'opérateur. Ne percez, fixez et ne rentrez pas dans des murs existants ou autres endroits aveugles pouvant abriter des fils électriques. Si cette situation est inévitable, débranchez tous les fusibles ou les disjoncteurs alimentant ce site.

**Débranchez le bloc-pile de l'outil ou placez l'interrupteur à la position de blocage ou d'arrêt avant d'effectuer tout assemblage ou réglage ou de changer les accessoires.** Ces mesures de sécurité préventives réduisent le risque d'une mise en marche accidentelle de l'outil.

**Ne tenez jamais la gâchette bloquée en position de marche. Avant d'insérer le bloc-pile, vérifiez que le blocage de gâchette est en position « arrêt » (OFF).** Les mises en marche accidentelles peuvent causer des blessures.

**Gardez les mains à l'écart de la zone de coupe. Ne placez surtout pas la main sous le matériau que vous coupez.** Il est impossible de déterminer exactement la proximité de la lame de votre main.

**Évitez de vous placer les mains entre le carter d'engrenages et le porte-lame de la scie.** Le porte-lame à mouvement alternatif risquerait de vous pincer les doigts.

**N'utilisez pas de lames émoussées ou endommagées.** Les lames pliées peuvent aisément se fracturer ou causer un rebond.

**Avant de commencer à couper, mettez l'outil en marche et attendez que la lame atteigne sa vitesse maximale.** L'outil peut trembler ou vibrer si la vitesse de la lame est trop lente au début de la coupe, et il peut éventuellement rebondir.

**Il importe de bien assujettir la pièce sur laquelle vous travaillez. Ne la tenez jamais dans votre main ou sur vos jambes.** Les pièces minces et plus petites peuvent fléchir ou vibrer avec la lame, risquant ainsi de vous faire perdre le contrôle.

**Avant de commencer à scier, assurez-vous que toutes les vis de réglage et que le porte-lame sont serrés.** Les vis de réglage et porte-lame lâches peuvent faire glisser l'outil ou la lame et ainsi vous faire perdre le contrôle.

**En retirant la lame de l'outil, évitez le contact avec la peau et utilisez des gants protecteurs appropriés en saisissant la lame ou l'accessoire.** Les accessoires peuvent être chauds après un usage prolongé.

### **⚠ AVERTISSEMENT**

**Les travaux à la machine tel que ponçage, sciage, meulage, perçage et autres travaux du bâtiment peuvent créer des poussières contenant des produits chimiques qui sont des causes reconnues de cancer, de malformation congénitale ou d'autres problèmes reproductifs. Ces produits chimiques sont, par exemple :**

- Le plomb provenant des peintures à base de plomb,
- Les cristaux de silices provenant des briques et du ciment et d'autres produits de maçonnerie, et
- L'arsenic et le chrome provenant des bois traités chimiquement.

Le niveau de risque dû à cette exposition varie avec la fréquence de ces types de travaux. Pour réduire l'exposition à ces produits chimiques, il faut travailler dans un lieu bien ventilé et porter un équipement de sécurité approprié tel que certains masques à poussière conçus spécialement pour filtrer les particules microscopiques.

### Chargeur de pile

**Avant d'utiliser le chargeur de pile, lisez toutes les consignes et tous les marquages d'avertissement sur (1) le chargeur de pile, (2) le bloc-pile et (3) le produit utilisant la pile.**

**N'utilisez que le chargeur qui accompagnait votre produit ou remplacement direct, comme indiqué dans le catalogue ou ce manuel.** Ne substituez aucun autre chargeur. N'utiliser que les chargeurs approuvés par Bosch avec votre produit. Voir Description fonctionnelle et Spécifications.

**Ne désassemblez pas le chargeur et ne l'utilisez pas s'il a reçu un choc violent, s'il est tombé ou s'il a**

**été endommagé par ailleurs. Remplacez immédiatement les cordons ou les fiches abîmés.** Un remontage incorrect ou des dommages peuvent provoquer un incendie ou des secousses électriques.

**Ne rechargez pas la pile dans un environnement mouillé ou humide. N'exposez pas le chargeur à la pluie ou la neige. Si le boîtier de la pile est fissuré ou endommagé par ailleurs, ne l'insérez pas dans le chargeur.** Il pourrait y avoir un incendie ou un court-circuit de pile.

**Ne chargez que des piles rechargeables approuvées par Bosch.** Voir Description fonctionnelle et

Spécifications. Les autres types de piles peuvent éclater causant ainsi des blessures et des dommages.

**Chargez le bloc-pile à des températures de plus de 4 degrés C (+40°F) et de moins de 41 degrés C (+105°F). Rangez l'outil et le bloc-pile à des endroits dont la température ne dépasse pas 49 degrés C (+120°F).** Ceci est important pour prévenir des dommages considérables aux éléments des piles.

**Il peut y avoir une fuite de pile dans des conditions extrêmes d'utilisation ou de température. Évitez tout contact avec la peau et les yeux.** Le liquide de pile est caustique et pourrait causer des brûlures chimiques aux tissus. Si le liquide vient en contact avec la peau, lavez rapidement à l'eau savonneuse, puis au jus de citron ou au vinaigre. Si le liquide vient en contact avec les yeux, rincez-les à l'eau pendant au moins 10 minutes et sollicitez des soins médicaux.

**Posez le chargeur sur une surface plate inflammable et à distance de matériaux inflammables lorsqu'on recharge un bloc-piles.** Le chargeur et le bloc-piles s'échauffent pendant la charge. Le coussinet de mousse souple et autres surfaces isolantes empêchent la circulation normale de l'air, ce qui peut provoquer une surchauffe du chargeur et du bloc-piles. S'il y a dégagement de fumée ou si le boîtier fond, débranchez le chargeur immédiatement et n'utilisez ni le chargeur, ni le bloc-piles.

**L'utilisation d'un accessoire non recommandé ni vendu par Bosch peut causer des risques d'incendie, de chocs électriques ou de lésions corporelles.**

### Entretien des piles

**⚠ AVERTISSEMENT** Lorsque les piles ne sont pas dans l'outil ou le chargeur, gardez-les à l'écart d'objets métalliques. Ainsi, pour éviter un court-circuitage des bornes, **NE PLACEZ PAS** les piles dans la boîte à outils ou dans la poche avec des clous, des vis, des clés, etc. Ceci peut provoquer un incendie ou des blessures.

**⚠ AVERTISSEMENT** Afin d'éviter tout risque d'incendie ou de blessure lorsque les piles ne sont pas dans l'outil ou dans le chargeur, placez toujours un capuchon de sécurité sur l'extrémité du bloc-piles. Le capuchon de protection protège contre les courts circuits aux bornes.

**NE METTEZ PAS LES PILES AU FEU ET NE LES EXPOSEZ PAS À UNE CHALEUR ÉLEVÉE.** Elles peuvent exploser.

### Mise au rebut des piles

**⚠ AVERTISSEMENT** Ne tentez pas de désassembler le bloc-piles ou d'enlever tout composant faisant saillie des bornes de piles, ce qui peut provoquer un incendie ou des blessures. Avant la mise au rebut, protégez les bornes exposées à l'aide d'un ruban isolant épais pour prévenir le court-circuitage.

#### PILES NICKEL-CADMIUM

Si le produit est équipé d'une pile nickel-cadmium, la pile doit être ramassée, recyclée ou mise au rebut d'une manière qui ne soit pas nocive pour l'environnement.



“Le sceau RBRC de recyclage des piles, homologué par l'EPA (Agence pour la protection de l'environnement des États-Unis), qui se trouve sur les piles au nickel-cadmium (Ni-Cd) indique que Robert Bosch Tool Corporation

participe volontairement à un programme industriel de ramassage et de recyclage de ces piles au terme de

leur vie utile, pourvu qu'elles soient mises hors service aux États-Unis ou au Canada. Le programme du RBRC offre une alternative pratique à la mise des piles au Ni-Cd usées au rebut ou au ramassage d'ordures municipal, ce qui pourrait être interdit dans votre région.




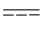
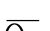




Veuillez appeler le 1-800-8-BATTERY pour obtenir de plus amples renseignements sur le recyclage des piles au Ni-Cd et sur les restrictions ou interdictions de mise au rebut qui s'appliquent à votre région ou renvoyez vos piles à un Centre de Service Skil/Bosch/Dremel pour recyclage. La participation de Robert Bosch Tool Corporation à ce programme s'insère dans le contexte de notre engagement à préserver notre environnement et à conserver nos ressources naturelles.”

#### PILES NICKEL-HYDRURE DE MÉTAL

Si le produit est équipé d'une pile nickel-hydrure de métal, la pile peut être mise au rebut dans un flux de déchets solides municipaux.

## Symboles

**IMPORTANT** : Certains des symboles suivants peuvent être utilisés sur votre outil. Veuillez les étudier et apprendre leur signification. Une interprétation appropriée de ces symboles vous permettra d'utiliser l'outil de façon plus efficace et plus sûre.

Symbole	Nom	Désignation/Explication
V	Volts	Tension (potentielle)
A	Ampères	Courant
Hz	Hertz	Fréquence (cycles par seconde)
W	Watt	Puissance
kg	Kilogrammes	Poids
min	Minutes	Temps
s	Secondes	Temps
∅	Diamètre	Taille des mèches de perceuse, meules, etc.
$n_0$	Vitesse à vide	Vitesse de rotation, à vide
.../min	Tours ou mouvement alternatif par minute	Tours, coups, vitesse en surface, orbites, etc., par minute
0	Position d'arrêt	Vitesse zéro, couple zéro ...
1, 2, 3, ... I, II, III, ...	Réglages du sélecteur	Réglages de vitesse, de couple ou de position. Un nombre plus élevé signifie une vitesse plus grande.
	Sélecteur variable à l'infini avec arrêt	La vitesse augmente depuis le réglage 0
	Flèche	Action dans la direction de la flèche
	Courant alternatif	Type ou caractéristique du courant
	Courant continu	Type ou caractéristique du courant
	Courant alternatif ou continu	Type ou caractéristique du courant
	Construction classe II	Désigne des outils construits avec double isolation
	Borne de terre	Borne de mise à la terre
	Symbole d'avertissement	Alerte l'utilisateur aux messages d'avertissement.
	Sceau Ni-Cad RBRC	Désigne le programme de recyclage des piles Ni-Cad.



Ce symbole signifie que cet outil est approuvé par Underwriters Laboratories.



Ce symbole signifie que cet outil est approuvé conformément aux normes canadiennes par Underwriters Laboratories.



Ce symbole signifie que cet outil se conforme aux normes mexicaines NOM.



Ce symbole signifie que cet outil est approuvé par l'Association canadienne de normalisation.



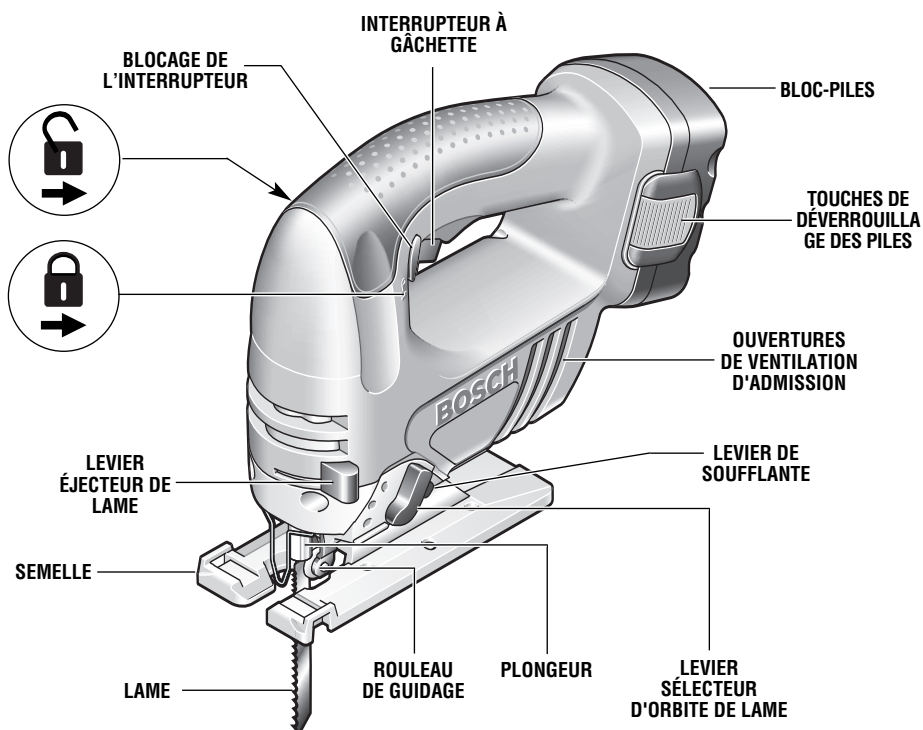
Ce symbole signifie que cet outil est approuvé par Underwriters Laboratories et qu'il a été homologué selon les normes canadiennes par Underwriters Laboratories.

## Description fonctionnelle et spécifications

**⚠ AVERTISSEMENT** Débranchez le bloc-pile de l'outil ou placez l'interrupteur à la position de blocage ou d'arrêt avant d'effectuer tout assemblage ou réglage ou de changer les accessoires. Ces mesures de sécurité préventives réduisent le risque d'une mise en marche accidentelle de l'outil.

### Scies sauteuses sans fil

**FIG. 1**



<b>Numéro de modèle</b>	52314	52318	52324
Tension nominale	14,4 V $\equiv$	18 V $\equiv$	24 V $\equiv$
Régime à vide	$n_0$ 0-2000/min	$n_0$ 0-20000/min	$n_0$ 0-20000/min
<b>Capacités maximales</b>			
Longueur de la course	25 mm	25 mm	25 mm
Bois	64 mm	66 mm	70 mm
Aluminium	10 mm	11 mm	13 mm
Acier doux	2 mm	2 mm	3 mm
<b>Chargeur</b>	BC001 à 6 et BC016	BC003, 4, 6, et BC016	BC004, 6, et BC016
	BC130 et BC230	BC130 et BC230	BC130 et BC230
Tension nominale	120 V $\sim$ 60 Hz	120 V $\sim$ 60 Hz	120 V $\sim$ 60 Hz
<b>Bloc piles</b>	BAT038 à BAT040	BAT025 et BAT026	BAT030 et BAT031
	BAT140 à BAT159	BAT160 à BAT189	BAT240 à BAT299

Le chargeur BC006 nécessite une puissance d'alimentation de 12 V CC.

**NOTE : N'UTILISER QUE LES CHARGEURS REPERTORIÉS CI-DESSUS**

## Assemblage

### POSE ET DÉPOSE DE LA LAME

Cette scie sauteuse est pourvue du système de changement de lame sans outil « clic » de Bosch. Ce système facilite et accélère le changement de lames.

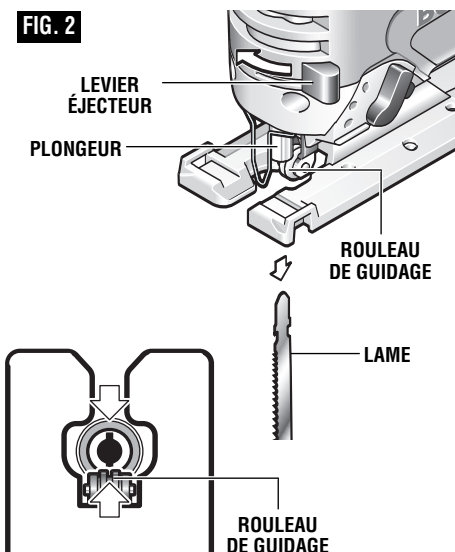
Insérez la lame de la scie (dents dans le sens de la coupe) jusqu'à ce qu'elle s'enclenche dans le plongeur. Lorsque vous insérez la lame de la scie, le dos de la lame doit reposer dans la rainure du rouleau de guidage (Fig. 2).

**Remarque :** Si la lame de la scie ne peut être insérée dans le plongeur, ceci signifie que les fentes du porte-lame ne sont pas dans la position illustrée ; poussez le levier éjecteur de lame brièvement vers l'avant et relâchez.

Pour changer la lame de la scie, poussez le levier éjecteur vers la butée centrale ; ceci relâche la lame de la scie et celle-ci est éjectée.

Lorsque vous changez la lame, l'outil doit être tenu de manière à ce que la lame soit éjectée en toute sécurité.

FIG. 2



### POSE DE LA SURSEMELLE QUI N'ABÎME PAS

Votre outil est pourvu d'une sursemelle protectrice en plastique qui protège les surfaces plus fines.

Pour fixer, accrochez la sursemelle par-dessus l'avant de la semelle en métal et enclenchez en place à l'arrière de la semelle (Fig. 3).

### INSERT ANTI-ÉCLATS

Afin de réduire au minimum l'éclatement de la surface supérieure du matériau qui est coupé, placez l'insert anti-éclats dans l'ouverture de lame de la semelle, ou sursemelle qui n'abîme pas.

**Remarque :** Cet insert ne fonctionnera qu'avec des lames possédant des côtés rectifiés, telles que les T301CD, TB1B, T101D et T101DP.

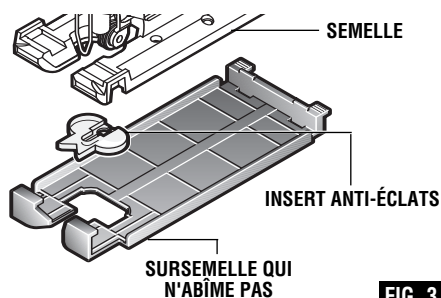


FIG. 3

## Consignes de fonctionnement

### BLOCAGE DE L'INTERRUPTEUR

Le blocage de l'interrupteur est conçu pour empêcher les démarrages intempestifs. Pour utiliser l'interrupteur, appuyez sur le bouton de blocage de l'interrupteur avec le pouce et mettez-le en face du symbole « déverrouillé » . Pour verrouiller l'interrupteur, appuyez sur le bouton de blocage de l'interrupteur et mettez-le en face de la position « verrouillé » (Fig. 1).

### GÂCHETTE AVEC VARIATION DE VITESSE

Votre outil est doté d'un interrupteur à gâchette avec

variation de vitesse. Enfoncez ou relâchez la gâchette pour démarrer ou arrêter l'outil. La vitesse peut être réglée entre les valeurs mini et maxi indiquées à la plaque signalétique en faisant varier la pression exercée sur la gâchette. Plus la pression est élevée, plus la vitesse est grande (Fig. 1).



### FREIN

Quand on relâche la gâchette, le frein est actionné et arrête rapidement la lame. Cette caractéristique est des plus utiles lors de sciages à répétition.

### LEVIER SÉLECTEUR D'ORBITE DE LAME

On peut obtenir une efficacité maximale de coupe en réglant le levier sélecteur d'orbite de lame en fonction du matériau qu'on coupe.



Le tableau suivant vous aidera à déterminer le réglage à utiliser pour votre application. Ce tableau est destiné uniquement à servir de guide, et vous devez d'abord procéder à des coupes d'essai dans des matériaux de rebut afin de déterminer le meilleur réglage.

	<b>Réglage 0</b> Matériaux durs tels que métaux ou tôles minces et utilisés avec des lames de couteau, des lames à bord abrasif, du travail de râpe, et des lames de coupe vers le bas.
	<b>Réglage 1</b> Matériaux mous où un travail de coupe plus nette ou de chantournage délicat est exécuté.
	<b>Réglage 2</b> Matériaux à densité moyenne tels que bois plus durs et panneaux d'agglomérés.
	<b>Réglage 3</b> Matériaux mous tels que bois, plastiques, etc., et lorsqu'une coupe rapide est plus importante qu'une coupe nette.

### SOUFFLE-COPEAUX

Votre scie est pourvue d'un souffle-copeaux à deux positions pour aider à garder la ligne de coupe exempte de copeaux.

En réglant le levier du souffle-copeaux, vous pouvez modifier la force de l'air de décharge comme suit :

-  **SOUFFLE-COPEAUX EN MARCHÉ**  
Pour le travail avec le bois, les plastiques et les matériaux similaires qui produisent de grandes quantités de bran de scie.
-  **SOUFFLE-COPEAUX À L'ARRÊT**  
Pour le travail avec les métaux et lorsque des agents de refroidissement sont utilisés.

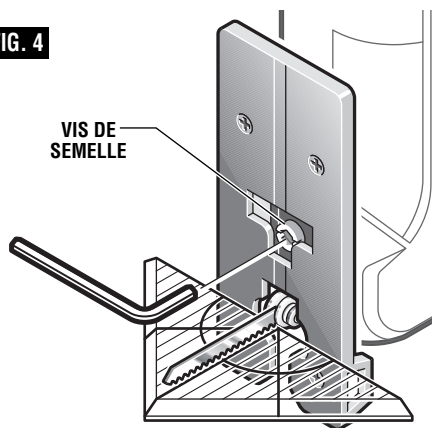
### RÉGLAGE DE L'ANGLE DE LA SEMELLE

La semelle peut être inclinée de manière à permettre des coupes à angle jusqu'à 45° dans un sens ou dans l'autre.

Pour ajuster la semelle, desserrez la vis à l'aide de la clé Allen fournie, faites glisser la semelle légèrement vers l'avant en direction de l'avant de l'outil, puis faites tourner à l'angle désiré. Les fentes à cran tiendront la semelle fermement à 45°, et des marques de position supplémentaires sont prévues pour les angles de 15 et de 30 degrés. Des angles intermédiaires peuvent être réglés à l'aide d'un

rapporteur. Après le positionnement de la semelle, serrez la vis solidement (Fig. 4).

**FIG. 4**



### COUPE À AFFLEUREMENT

Pour obtenir une coupe perpendiculaire à proximité d'une surface verticale, la semelle de la scie peut être repositionnée comme suit.

Desserrez la vis, remettez la semelle dans la fente d'alignement de 0°, et serrez la vis solidement. Il convient de remarquer que lorsque la semelle est ainsi rétractée, seules des coupes de 90° sont possibles, et le guide de coupe et le guide d'insert anti-éclats en option ne peuvent pas être utilisés.

### CONSEILS CONCERNANT LES OUTILS

Assurez-vous toujours que les ouvrages plus petits sont fixés solidement à un établi ou autre support. Les panneaux plus grands peuvent être tenus en place à l'aide de pinces de fixation sur un établi ou de chevalets de scieur.

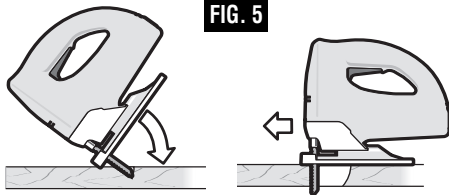
Pour commencer une coupe, marquez clairement la ligne de coupe, et faites reposer l'avant de la semelle sur l'ouvrage. Engagez l'interrupteur, et mettez la lame dans l'ouvrage en n'utilisant qu'une pression avant afin que la lame continue à couper régulièrement. Ne forcez pas, car ceci n'entraînera pas une coupe plus rapide, laissez la lame faire le travail.

Choisissez les lames soigneusement, car la capacité de la scie sauteuse de suivre les courbes, d'offrir des finis plus lisses ou de couper plus rapidement est directement fonction du type de lame employé.

### COUPE EN PLONGÉE

La coupe en plongée est utile et pratique pour pratiquer des ouvertures grossières dans les matériaux plus mous. Il n'est pas nécessaire de percer un trou pour une coupe intérieure ou en guichet. Tracez les lignes de l'ouverture, tenez fermement la scie, inclinez-la de sorte que l'extrémité avant de sa semelle repose sur la pièce, mais la lame suffisamment éloignée. Mettez le moteur en

marche, puis abaissez très graduellement la lame. Quand elle touche à la pièce, continuez d'appuyer sur l'extrémité avant de la semelle en rabattant lentement la scie comme une charnière jusqu'à ce que la lame traverse le matériau et que la semelle repose à plat sur la pièce. Ensuite, continuez de scier dans la ligne. Nous ne recommandons pas la coupe en plongée avec une lame à chantourner (Fig. 5).



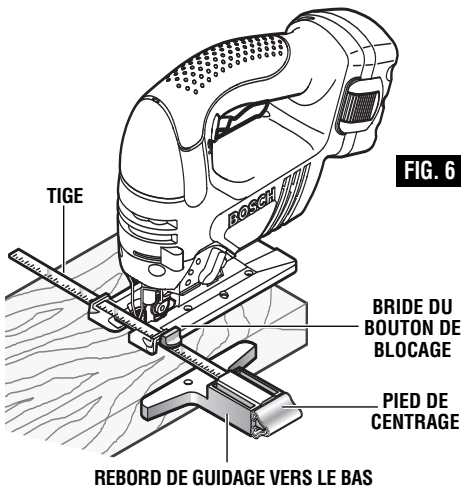
Pour exécuter des coins bien carrés, coupez jusqu'au coin, puis reculez légèrement avant de contourner. N'essayez pas de pratiquer la coupe en plongée dans des matériaux durs tels que l'acier.

### COUPE-CERCLES ET GUIDE PARALLÈLE

Cet accessoire est disponible moyennant supplément de prix. Il permet d'exécuter des coupes rectilignes et circulaires précises en rapidité (Fig. 6).

#### MONTAGE DU GUIDE

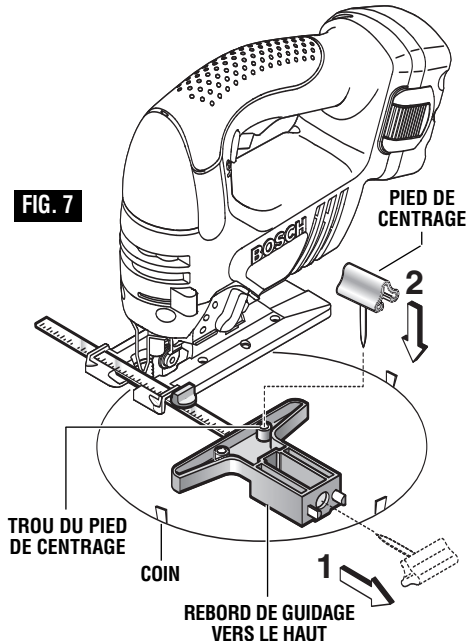
1. Enfillez la tige du guide dans la bride du bouton de blocage puis par les fentes prévues dans la semelle en commençant par l'un ou l'autre côté de la semelle et avec le rebord de guidage tourné vers le bas (Fig. 6).



2. Accrochez la bride du bouton de blocage sur le bord de la semelle, réglez le guide à la largeur désirée et serrez fermement la bride du bouton de blocage.

### DÉCOUPAGE DE CERCLES

1. Avant de monter le guide, tracez un cercle et percez un trou de centre de 13/64 po dans la pièce.
2. Percez ou sciez en plongeant près du bord du cercle. Arrêtez la scie et placez le blocage de l'interrupteur en position « verrouillé ».
3. Montez le guide de manière à scier avec le rebord de guidage tourné vers le haut comme indiqué (Fig. 7).
4. Enlevez le pied de centrage de l'extrémité du guide, enfoncez-le dans le trou prévu à cet effet dans le guide et placez-le dans le trou pratiqué au centre de la pièce.



5. Mesurez la distance depuis le trou choisi jusqu'à la lame pour correspondre au rayon du cercle.
6. Placez le blocage de l'interrupteur à la position « déverrouillé », saisissez fermement la scie par la poignée, appuyez sur la gâchette de commande et dirigez lentement la scie vers l'avant. Pour découper une ouverture, procédez de l'intérieur du cercle ; pour découper des roues ou des disques, procédez de l'extérieur du cercle.

Conseil pratique : Procédez lentement de sorte que la lame reste bien droite dans le trait de coupe. Insérez des petits coins de bois dans le trait de coupe (comme l'indique la Fig. 7), pour empêcher le disque intérieur de se décentrer quand vous serez sur le point de terminer la coupe.



### DÉPOSE ET REPOSE DU BLOC-PILES

Enlevez le bloc-piles de l'outil en pinçant les deux côtés à la hauteur des touches de déverrouillage et en le tirant vers le bas. Avant d'introduire le bloc-piles, retirez le capuchon de protection de celui-ci. Pour

remettre le bloc dans l'outil, glissez-le dans l'ouverture jusqu'à ce qu'il se verrouille en place. Ne forcez pas outre mesure.

### REMARQUES IMPORTANTES CONCERNANT LA CHARGE

1. Lors des premiers cycles de charge, le bloc-piles neuf n'absorbe que 80 % de sa capacité maximale. Par la suite, cependant, les piles se chargeront à pleine capacité.
  2. De même, le chargeur n'est destiné qu'à la charge rapide des bloc-piles dont la température se situe entre 4°C (40°F) et 41°C (105°F).
  3. Une diminution marquée de la réserve énergétique entre les charges peut signaler l'épuisement du bloc-piles et le besoin d'un remplacement.
  4. Si vous prévoyez de longues périodes (à savoir, un mois ou plus) de non-utilisation de votre outil, il est préférable d'utiliser votre outil jusqu'à ce que sa pile soit entièrement déchargée avant de remiser votre bloc-pile. Après une longue période de remisage, la capacité sera réduite à la première recharge. La capacité normale sera rétablie en deux ou trois cycles de charge/décharge. N'oubliez pas de débrancher le chargeur durant la période de remisage.
  5. Si le bloc-piles ne se charge pas normale-ment :
    - a. Vérifiez la présence de courant à la prise en y branchant un autre appareil électrique.
    - b. Vérifiez si la prise n'est pas raccordée conjointement à un interrupteur qui servirait à éteindre les lumières.
    - c. Vérifiez la propreté des bornes du bloc-piles. Nettoyez-les au besoin avec un bâtonnet imbibé d'alcool.
    - d. Si vous n'arrivez toujours pas à obtenir la charge satisfaisante, confiez l'outil, le bloc-piles et le chargeur à votre centre d'entretien Bosch habituel. Voir les noms et adresses des centres d'entretien sous la rubrique « Outils électriques » dans les pages jaunes de l'annuaire de téléphone.
- Remarque :** L'utilisation de chargeurs ou de bloc-piles non vendus par Bosch annule la garantie.

### CHARGEMENT DU BLOC-PILES (30 MN, UNE BAIE – BC130)

#### TÉMOINS, SYMBOLES ET SIGNIFICATION

Si le témoin lumineux vert est éteint, ceci signifie que le chargeur ne reçoit pas de courant de la prise de courant.



Si le voyant vert s'allume, le chargeur est branché mais le bloc-piles n'est pas en place ou le bloc-piles est pleinement chargé et ne reçoit qu'une charge de maintien.



Si le voyant vert « CLIGNOTE » pendant la charge rapide du bloc-piles. La charge rapide prend automatiquement fin dès que le bloc-piles est totalement chargé.



Si le voyant rouge est allumé, le bloc-piles est trop chaud ou trop froid pour prendre la charge rapide. Le chargeur adoptera la charge de maintien jusqu'à ce que la température se normalise, alors qu'il passera automatiquement à la charge rapide.



Si le voyant rouge « CLIGNOTE », cela signifie que le bloc-piles ne peut pas accepter une charge ou que les contacts du chargeur ou du bloc-piles sont souillés. Nettoyez les contacts du chargeur ou du bloc-piles conformément aux recommandations des présentes instructions ou celles qui accompagnaient l'outil ou le bloc-piles.

Branchez le cordon du chargeur dans votre prise de courant standard. Avant d'introduire le bloc-piles, retirez le capuchon de protection et introduisez le bloc-piles dans le chargeur (Fig. 8).

Le témoin vert du chargeur commencera à CLIGNOTER, ce qui indique que la pile reçoit une charge rapide. La charge rapide s'arrêtera automatiquement lorsque le bloc-pile est à pleine charge.

Lorsque le témoin lumineux cesse de clignoter (et devient vert en continu), ceci signifie que la charge rapide est terminée.

On peut utiliser le bloc-pile même si le témoin clignote encore. Il peut falloir plus de temps pour que le témoin cesse de clignoter, suivant la température. Lorsque vous commencez le processus de charge du bloc-pile,

un témoin rouge continu pourrait également signifier que le bloc-pile est trop chaud ou trop froid.

Le témoin vert a pour but d'indiquer que le bloc-pile est en charge rapide. Il n'indique pas le point exact de pleine charge. Le témoin cessera de clignoter en moins de temps si le bloc-pile n'était pas entièrement déchargé.

Lorsque plusieurs piles sont chargées l'une après l'autre, le temps de charge peut augmenter légèrement.

Lorsque le bloc-pile est entièrement chargé, débranchez le chargeur (à moins que vous ne chargiez un autre bloc-pile) et insérez le bloc-pile dans l'outil.

Afin d'éviter tout risque d'incendie ou de blessure lorsque les piles ne sont pas dans l'outil ou dans le chargeur, placez toujours un capuchon de sécurité sur l'extrémité du bloc-piles.

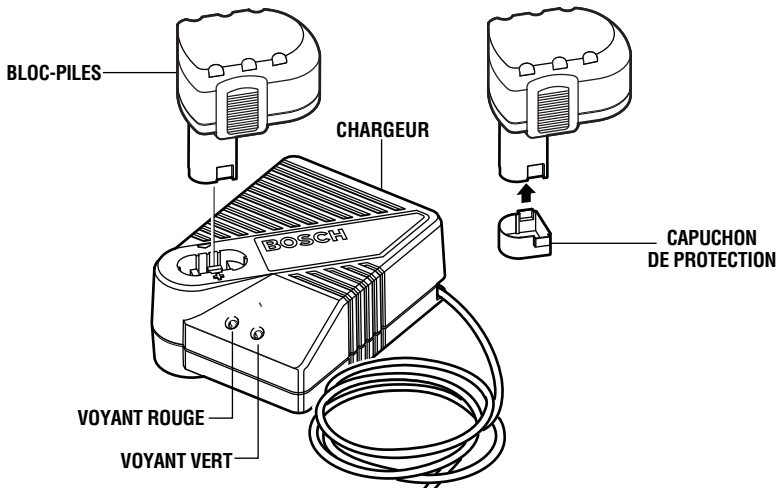


FIG. 8

## CHARGEMENT DU BLOC-PILES (30 MN, DEUX BAIES – BC230)

### TÉMOINS, SYMBOLES ET SIGNIFICATION

Si le témoin lumineux vert est éteint, ceci signifie que le chargeur ne reçoit pas de courant de la prise de courant.



Si le voyant rouge est allumé, le bloc-piles est trop chaud ou trop froid pour prendre la charge rapide. Le chargeur adoptera la charge de maintien jusqu'à ce que la température se normalise, alors qu'il passera automatiquement à la charge rapide.



Si le voyant rouge « CLIGNOTE », cela signifie que le bloc-piles ne peut pas accepter une charge ou que les contacts du chargeur ou du bloc-piles sont

souillés. Nettoyez les contacts du chargeur ou du bloc-piles conformément aux recommandations des présentes instructions ou celles qui accompagnaient l'outil ou le bloc-piles.



Si le voyant vert « CLIGNOTE » pendant la charge rapide du bloc-piles. La charge rapide prend automatiquement fin dès que le bloc-piles est totalement chargé.



Si le voyant vert s'allume, le chargeur est branché mais le bloc-piles n'est pas en place ou le bloc-piles est pleinement chargé et ne reçoit qu'une charge de maintien.

Branchez le cordon du chargeur dans votre prise de courant standard. Avant d'introduire le bloc-piles, retirez le capuchon de protection et introduisez le bloc-piles dans le chargeur (Fig. 9).

Le témoin vert du chargeur commencera à CLIGNOTER, ce qui indique que la pile reçoit une charge rapide. La charge rapide s'arrêtera automatiquement lorsque le bloc-pile est à pleine charge.

Lorsque le témoin lumineux cesse de clignoter (et devient vert en continu), ceci signifie que la charge rapide est terminée.

On peut utiliser le bloc-pile même si le témoin clignote encore. Il peut falloir plus de temps pour que le témoin cesse de clignoter, suivant la température. Lorsque vous commencez le processus de charge du bloc-pile,

un témoin rouge continu pourrait également signifier que le bloc-pile est trop chaud ou trop froid.

Le témoin vert a pour but d'indiquer que le bloc-pile est en charge rapide. Il n'indique pas le point exact de pleine charge. Le témoin cessera de clignoter en moins de temps si le bloc-pile n'était pas entièrement déchargé.

Lorsque plusieurs piles sont chargées l'une après l'autre, le temps de charge peut augmenter légèrement.

Lorsque le bloc-pile est entièrement chargé, débranchez le chargeur (à moins que vous ne chargiez un autre bloc-pile) et insérez le bloc-pile dans l'outil.

Afin d'éviter tout risque d'incendie ou de blessure lorsque les piles ne sont pas dans l'outil ou dans le chargeur, placez toujours un capuchon de sécurité sur l'extrémité du bloc-piles.

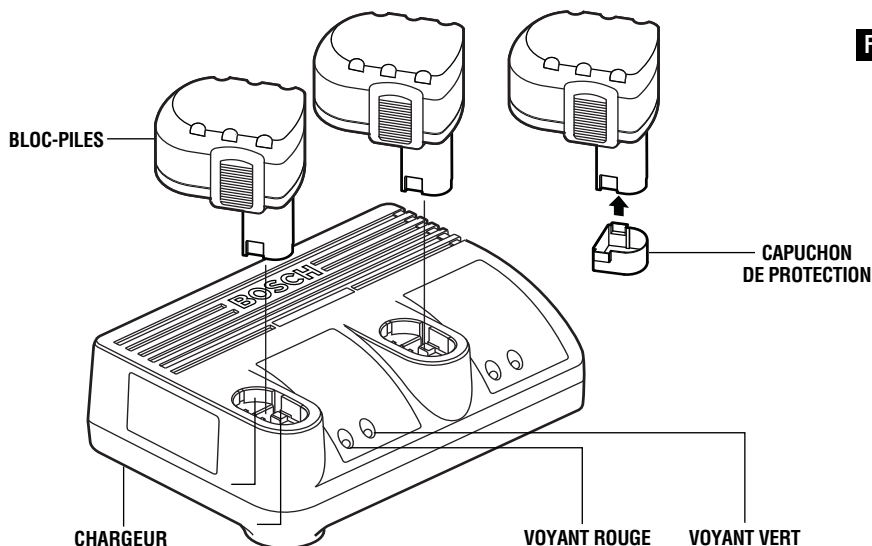


FIG. 9

### CHARGE DU BLOC-PILE (CHARGEUR DE 1 HEURE)

#### TÉMOINS, SYMBOLES ET SIGNIFICATION

Si le témoin lumineux vert est éteint, ceci signifie que le chargeur ne reçoit pas de courant de la prise de courant.



Si le voyant vert s'allume, le chargeur est branché mais le bloc-piles n'est pas en place ou le bloc-piles est pleinement chargé et ne reçoit qu'une charge de maintien, ou le bloc-piles

est trop chaud ou trop froid pour prendre la charge rapide. Le chargeur adoptera la charge de maintien jusqu'à ce que la température se normalise, alors qu'il passera automatiquement à la charge rapide.



Si le voyant vert « CLIGNOTE » pendant la charge rapide du bloc-piles. La charge rapide prend automatiquement fin dès que le bloc-piles est totalement chargé.

### CHARGE DU BLOC-PILE (CHARGEUR DE 1 HEURE)

Branchez le cordon du chargeur dans votre prise de courant standard. Avant d'introduire le bloc-piles, retirez le capuchon de protection et introduisez le bloc-piles dans le chargeur (Fig. 10).

Le témoin vert du chargeur commencera à CLIGNOTER, ce qui indique que la pile reçoit une charge rapide. La charge rapide s'arrêtera automatiquement lorsque le bloc-pile est à pleine charge.

Le témoin CESSE DE CLIGNOTER (et s'allume en vert continu) au terme de la charge rapide.

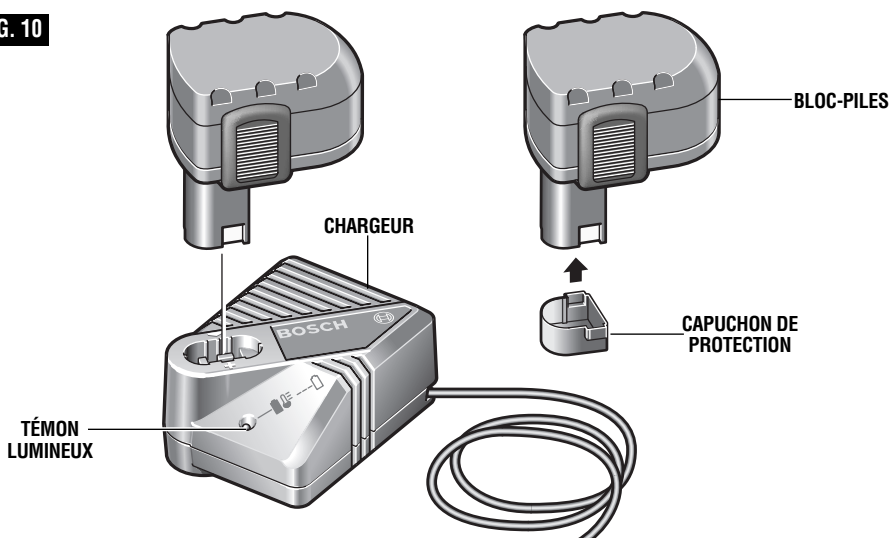
Lorsque vous commencez le processus de charge du bloc-pile, un témoin vert continu pourrait également signifier que le bloc-pile est trop chaud ou trop froid.

Le témoin a pour but d'indiquer que le bloc-pile est en charge rapide. Il n'indique pas le point exact de pleine charge. Le témoin cessera de clignoter en moins de temps si le bloc-pile n'était pas entièrement déchargé.

Lorsque le bloc-pile est entièrement chargé, débranchez le chargeur (à moins que vous ne chargiez un autre bloc-pile) et réinsérez le bloc-pile dans la poignée de l'outil.

Afin d'éviter tout risque d'incendie ou de blessure lorsque les piles ne sont pas dans l'outil ou dans le chargeur, placez toujours un capuchon de sécurité sur l'extrémité du bloc-piles. Le capuchon de protection protège contre les courts circuits aux bornes.

FIG. 10



## Entretien

### Service

**⚠ AVERTISSEMENT** IL N'EXISTE À L'INTÉRIEUR AUCUNE PIÈCE SUSCEPTIBLE D'ÊTRE ENTRETENUE PAR L'UTILISATEUR. L'entretien préventif exécuté par des personnes non autorisés peut entraîner un positionnement erroné des composants et des fils internes, ce qui peut présenter de graves dangers. Nous recommandons de confier toute intervention d'entretien sur l'outil à un centre de service-usine Bosch ou à un centre de service après-vente Bosch agréé. **TECHNICIENS :** Débranchez l'outil et/ou le chargeur de la source de courant avant d'entretenir.

### PILES

**Faire attention aux blocs-piles qui approchent la fin de leur vie.** Si vous remarquez une diminution dans les performances de votre outil ou une durée de fonctionnement réduite de manière significative entre charges, il est temps de remplacer le bloc-piles. S'il n'est pas remplacé, il se peut qu'il endommage le chargeur ou que l'outil fonctionne incorrectement.

**Les piles doivent être déchargées avant de les entreposer pour une longue durée.** Les blocs-piles durent plus longtemps et se rechargent mieux quand ils sont rangés déchargés. Rappelez-vous qu'il faut complètement recharger les blocs-piles avant toute utilisation survenant après un stockage prolongé.

### GRAISSAGE DE L'OUTIL

Votre outil Bosch a été graissé de manière appropriée et il est prêt à l'usage.

### MOTEURS C.C.

Le moteur de votre outil a été conçu pour de nombreuses heures d'utilisation fiable. Pour maintenir l'efficacité maximale du moteur, nous recommandons de l'examiner tous les six mois. Seul un moteur de remplacement Bosch authentique, conçu spécialement pour votre outil, doit être utilisé.

### Nettoyage

**⚠ AVERTISSEMENT** Pour éviter les accidents, débranchez toujours l'outil et/ou le chargeur de la source de courant avant de nettoyer. La façon la plus efficace de nettoyer l'outil est à l'aide d'air sec comprimé. **Portez toujours des lunettes de sécurité en nettoyant les outils à l'air comprimé.**

Gardez les prises d'air et les interrupteurs propres et libres de débris. N'essayez pas de les nettoyer en introduisant des objets pointus dans leurs ouvertures.

**⚠ MISE EN GARDE** Certains agents de nettoyages et certains dissolvants abîment les pièces en plastique. Parmi ceux-ci se trouvent: l'essence, le tétrachlorure de carbone, les dissolvants de nettoyage chlorés, l'ammoniaque ainsi que les détergents domestiques qui en contiennent.

## Accessoires

**⚠ AVERTISSEMENT** Si un cordon de rallonge s'avère nécessaire, vous devez utiliser un cordon avec conducteurs de dimension adéquate pouvant porter le courant nécessaire à votre outil. Ceci préviendra une chute excessive de tension, une perte de courant ou une surchauffe. Les outils mis à la terre doivent utiliser des cordons de rallonge trifilaires pourvus de fiches à trois broches ainsi que des prises à trois broches.

**REMARQUE :** Plus le calibre est petit, plus le fil est gros.

### DIMENSIONS DE RALLONGES RECOMMANDÉES OUTILS 120 VOLTS COURANT ALTERNATIF

Intensité nominale de l'outil	Calibre A.W.G.				Calibre en mm <sup>2</sup>			
	Longueur en pieds				Longueur en mètres			
	25	50	100	150	15	30	60	120
3-6	18	16	16	14	0,75	0,75	1,5	2,5
6-8	18	16	14	12	0,75	1,0	2,5	4,0
8-10	18	16	14	12	0,75	1,0	2,5	4,0
10-12	16	16	14	12	1,0	2,5	4,0	—
12-16	14	12	—	—	—	—	—	—

(\* = équipement de série)

(\*\* = accessoires optionnels)

\* Étui (Modèle 52324 seulement)

\*\* Coupe-cercles et guide parallèle

\*\* Cargador de 15 minutos

\*\* Cargador de 30 minutos (con bahía única)

\*\* Cargador de 30 minutos (con dos bahías)

\*\* Cargador de una hora

## Normas generales de seguridad



**ADVERTENCIA** Lea todas las instrucciones. Si no se siguen todas las instrucciones que aparecen a continuación, el resultado podría ser sacudidas eléctricas, incendio y/o lesiones graves.

La expresión "herramienta mecánica" en todas las advertencias que aparecen a continuación se refiere a su herramienta mecánica alimentada por la red eléctrica (herramienta alámbrica) o su herramienta mecánica alimentada por baterías (herramienta inalámbrica).

### GUARDE ESTAS INSTRUCCIONES

#### Seguridad del área de trabajo

**Mantenga el área de trabajo limpia y bien iluminada.** Las áreas desordenadas u oscuras invitan a que se produzcan accidentes.

**No utilice herramientas mecánicas en atmósferas explosivas, como por ejemplo en presencia de líquidos, gases o polvos inflamables.** Las herramientas mecánicas generan chispas que pueden incendiar el polvo o los vapores.

**Mantenga alejados a los niños y a las personas que estén presentes mientras esté utilizando una herramienta mecánica.** Las distracciones pueden hacerle perder el control de la herramienta.

#### Seguridad eléctrica

**Los enchufes de las herramientas mecánicas deben coincidir con el tomacorriente. No modifique nunca el enchufe de ningún modo. No use enchufes adaptadores con herramientas mecánicas conectadas a tierra (puestas a tierra).** Los enchufes no modificados y los tomacorrientes coincidentes reducirán el riesgo de sacudidas eléctricas.

**Evite el contacto del cuerpo con las superficies conectadas o puestas a tierra, tales como tuberías, radiadores, estufas y refrigeradores.** Hay un aumento del riesgo de sacudidas eléctricas si el cuerpo del operador se conecta o pone a tierra.

**No esponga las herramientas mecánicas a la lluvia o a condiciones mojadas.** La entrada de agua en una herramienta mecánica aumentará el riesgo de que se produzcan sacudidas eléctricas.

**No maltrate el cordón de energía. No use nunca el cordón para transportar la herramienta mecánica, tirar de ella o desenchufarla. Mantenga el cordón alejado del calor, el aceite, los bordes afilados o las piezas móviles.** Los cordones dañados o enganchados aumentan el riesgo de que se produzcan sacudidas eléctricas.

**Cuando utilice una herramienta mecánica en el exterior, use un cordón de extensión adecuado para uso a la intemperie.** La utilización de un cordón adecuado para uso a la intemperie reduce el riesgo de que se produzcan sacudidas eléctricas.

**No use herramientas mecánicas con capacidad nominal solamente para CA con una fuente de energía de CC.** Aunque pueda parecer que la

herramienta funciona correctamente, es probable que los componentes eléctricos de la herramienta con capacidad nominal para CA fallen y creen un peligro para el operador.

**Si es inevitable usar la herramienta mecánica en lugares húmedos, se debe utilizar un interruptor de circuito accionado por corriente de pérdida a tierra (GFCI) para suministrar energía a la herramienta.** Un GFCI y los dispositivos de protección personal, como guantes de goma y calzado de goma de electricista, mejorarán más su seguridad personal.

#### Seguridad personal

**Manténgase alerta, fíjese en lo que está haciendo y use el sentido común cuando esté utilizando una herramienta mecánica. No use una herramienta mecánica cuando esté cansado o bajo la influencia de drogas, alcohol o medicamentos.** Un momento de distracción mientras esté utilizando herramientas mecánicas podría causar lesiones corporales graves.

**Use equipo de seguridad. Use siempre protección de los ojos.** El equipo de seguridad, como por ejemplo una máscara antipolvo, calzado de seguridad antideslizante, casco o protección de oídos, utilizado para las condiciones apropiadas, reducirá las lesiones corporales.

**Evite el arranque accidental. Asegúrese de que el interruptor esté en la posición de apagado antes de enchufar la herramienta.** Si se transportan herramientas mecánicas con el dedo en el interruptor o se enchufan herramientas mecánicas que tienen el interruptor en la posición de encendido, se invita a que se produzcan accidentes.

**Quite todas las llaves de ajuste o de tuerca antes de encender la herramienta mecánica.** Una llave de tuerca o de ajuste que se deje colocada en una pieza giratoria de la herramienta mecánica podría causar lesiones corporales.

**No intente alcanzar demasiado lejos. Mantenga un apoyo de los pies y un equilibrio apropiados en todo momento.** Esto permite controlar mejor la herramienta mecánica en situaciones inesperadas.

**Vístase adecuadamente. No use ropa holgada ni alhajas holgadas. Mantenga el pelo, la ropa y los guantes alejados de las piezas móviles.** La ropa holgada, las alhajas holgadas o el pelo largo pueden quedar atrapados en las piezas móviles.

**Si se proporcionan dispositivos para la conexión de instalaciones de extracción y recolección de polvo, asegúrese de que dichas instalaciones estén conectadas y se usen correctamente.** El uso de estos dispositivos puede reducir los peligros relacionados con el polvo.

**Mantenga los mangos secos, limpios y libres de aceite y grasa.** Las manos resbalosas no pueden controlar de modo seguro la herramienta mecánica.

### **Uso y cuidado de las herramientas mecánicas**

**No fuerce la herramienta mecánica. Use la herramienta mecánica correcta para la aplicación que desee realizar.** La herramienta mecánica correcta hará el trabajo mejor y con más seguridad a la capacidad nominal para la que fue diseñada.

**No use la herramienta mecánica si el interruptor no la enciende y apaga.** Toda herramienta mecánica que no se pueda controlar con el interruptor es peligrosa y debe ser reparada.

**Desconecte el enchufe de la fuente de energía y/o el paquete de batería de la herramienta mecánica antes de hacer cualquier ajuste, cambiar accesorios o almacenar herramientas mecánicas.** Dichas medidas preventivas de seguridad reducen el riesgo de arrancar accidentalmente la herramienta mecánica.

**Guarde las herramientas que no esté usando fuera del alcance de los niños y no deje que personas que no estén familiarizadas con la herramienta mecánica o con estas instrucciones utilicen la herramienta.** Las herramientas mecánicas son peligrosas en manos de usuarios que no hayan recibido capacitación.

**Mantenga las herramientas mecánicas. Compruebe si hay piezas móviles desalineadas o que se atoran, si hay piezas rotas y si existe cualquier otra situación que podría afectar el funcionamiento de la herramienta mecánica.** Si la herramienta mecánica está dañada, haga que la reparen antes de usarla. Muchos accidentes son causados por herramientas mecánicas mantenidas deficientemente.

**Mantenga las herramientas de corte afiladas y limpias.** Es menos probable que las herramientas de corte mantenidas apropiadamente, con bordes de corte afilados, se atoren, y dichas herramientas son más fáciles de controlar.

**Use la herramienta mecánica, los accesorios, las brocas de la herramienta, etc., de acuerdo con estas instrucciones y de la manera prevista para el tipo específico de herramienta mecánica, teniendo en cuenta las condiciones de trabajo y el trabajo que se vaya a realizar.** El uso de la herramienta mecánica para

operaciones distintas a aquéllas para las que fue diseñada podría causar una situación peligrosa.

**Use abrazaderas u otro modo práctico de sujetar y soportar la pieza de trabajo en una plataforma estable.** Si se sujeta la pieza de trabajo con la mano o contra el cuerpo, se crea una situación inestable que podría causar pérdida de control.

### **Uso y cuidado de las herramientas alimentadas por baterías**

**Recargue las baterías solamente con el cargador especificado por el fabricante.** Un cargador que es adecuado para un tipo de paquete de batería puede crear un riesgo de incendio cuando se utiliza con otro paquete de batería.

**Use las herramientas alimentadas por baterías solamente con paquetes de batería designados específicamente.** El uso de cualquier otro paquete de batería puede crear un riesgo de lesiones e incendio.

**Cuando el paquete de batería no se esté usando, manténgalo alejado de otros objetos metálicos, tales como sujetapapeles, monedas, llaves, clavos, tornillos u otros objetos metálicos pequeños que pueden hacer una conexión de un terminal a otro.** Si se cortocircuitan los terminales de la batería uno con otro, se pueden causar quemaduras o un incendio.

**En condiciones abusivas, es posible que se eyecte líquido de la batería. Evite el contacto. Si se produce un contacto accidental, enjuáguese con agua. Si el líquido entra en contacto con los ojos, obtenga además ayuda médica.** El líquido que salga eyectado de la batería puede causar irritación o quemaduras.

**Asegúrese de que el interruptor esté en la posición de apagado antes de introducir el paquete de batería.** Si se introduce el paquete de batería en herramientas mecánicas que tengan el interruptor en la posición de encendido, se invita a que se produzcan accidentes.

### **Servicio de ajustes y reparaciones**

**Haga que su herramienta mecánica reciba servicio de un técnico de reparaciones calificado, utilizando únicamente piezas de repuesto idénticas.** Esto asegurará que se mantenga la seguridad de la herramienta mecánica.

**Desarrolle un programa de mantenimiento periódico de la herramienta.** Cuando limpie una herramienta, tenga cuidado de no desmontar ninguna de sus partes, ya que los cables internos podrían reubicarse incorrectamente o pellizcarse, o los resortes de retorno de los protectores de seguridad podrían montarse incorrectamente. Ciertos agentes de limpieza, tales como gasolina, tetracloruro de carbono, amoníaco, etc., podrían dañar las piezas de plástico.

**GUARDE ESTAS INSTRUCCIONES**

## Normas de seguridad para sierras caladoras sin cordón

**Sujete la herramienta por las superficies de agarre aisladas cuando realice una operación en la que la herramienta de corte pueda entrar en contacto con cables ocultos.** El contacto con un cable que tenga corriente hará que ésta pase a las partes metálicas descubiertas de la herramienta y que el operador reciba sacudidas eléctricas. No taladre, rompa, ni haga trabajo de sujeción en paredes existentes ni en otras áreas ciegas donde pueda haber cables eléctricos. Si esta situación es inevitable, desconecte todos los fusibles o cortacircuitos que alimentan este sitio de trabajo.

**Desconecte el paquete de baterías de la herramienta o ponga el interruptor en la posición fijada o de apagado antes de hacer cualquier ensamblaje, ajustes o cambiar accesorios.** Dichas medidas preventivas de seguridad reducen el riesgo de arrancar la herramienta accidentalmente.

**Nunca deje el gatillo fijo en la posición "ON" (encendido).** Antes de introducir el paquete de baterías, asegúrese de que el cierre del gatillo esté en la posición de apagado. Un arranque accidental podría causar lesiones.

**Mantenga las manos alejadas del área de corte. No ponga la mano debajo del material que se está cortando.** La proximidad de la hoja a la mano queda oculta a la vista.

**Mantenga las manos alejadas del espacio entre la caja de engranajes y el soporte de la hoja de sierra.** El soporte de la hoja de vaivén puede pellizcarle los dedos.

**No utilice hojas desfiladas ni dañadas.** Una hoja doblada puede romperse fácilmente o causar retroceso.

**Antes de comenzar el corte, encienda la herramienta y deje que la hoja alcance toda su velocidad.** La herramienta puede chirriar o vibrar si

la velocidad de la hoja es demasiado lenta al comienzo del corte y posiblemente puede experimentar retroceso.

**Fije el material antes de cortar. Nunca lo tenga en la mano ni sobre las piernas.** El material pequeño o delgado puede curvarse o vibrar con la hoja, causando pérdida de control.

**Asegúrese de que todos los tornillos de ajuste y el soporte de la hoja estén apretados antes de hacer un corte.** Si los tornillos de ajuste y los soportes están flojos, pueden hacer que la herramienta o la hoja resbale, pudiendo producirse pérdida de control.

**Al quitar la hoja de la herramienta, evite el contacto con la piel y use guantes protectores adecuados al agarrar la hoja o el accesorio.** Los accesorios pueden estar calientes después del uso prolongado.

**⚠ ADVERTENCIA** Cierta polvo generado por el lijado, aserrado, amolado y taladrado mecánicos, y por otras actividades de construcción, contiene agentes químicos que se sabe que causan cáncer, defectos de nacimiento u otros daños sobre la reproducción. Algunos ejemplos de estos agentes químicos son:

- Plomo de pinturas a base de plomo,
- Sílice cristalina de ladrillos y cemento y otros productos de mampostería, y
- Arsénico y cromo de madera tratada químicamente.

Su riesgo por causa de estas exposiciones varía, dependiendo de con cuánta frecuencia realice este tipo de trabajo. Para reducir su exposición a estos agentes químicos: trabaje en un área bien ventilada y trabaje con equipo de seguridad aprobado, como por ejemplo máscaras antipolvo que estén diseñadas especialmente para impedir mediante filtración el paso de partículas microscópicas.

### Batería/cargador

**Antes de utilizar el cargador de baterías, lea todas las instrucciones e indicaciones de precaución que se encuentran en (1) el cargador de baterías, (2) el paquete de baterías y (3) el producto que utiliza baterías.**

**Utilice solamente el cargador que acompañaba al producto o un reemplazo directo según se indica en el catálogo o en este manual.** No sustituirlo por ningún otro cargador. Utilice únicamente cargadores aprobados Bosch con su producto. Consulte Descripción funcional y especificaciones.

**No desarme el cargador ni lo haga funcionar si ha recibido un golpe brusco, se ha caído o se ha dañado de cualquier modo. Cambie el cordón o los**

**enchufes dañados inmediatamente.** El reensamblaje incorrecto o los daños pueden ocasionar sacudidas eléctricas o incendio.

**No recargue la batería en un entorno húmedo o mojado. No exponga el cargador a lluvia ni nieve. Si la caja de baterías está agrietada o dañada de algún otro modo, no la introduzca en el cargador.** Se puede producir un cortocircuito de las baterías o un incendio.

**Cargue solamente baterías recargables aprobadas Bosch.** Consulte Descripción funcional y especificaciones. Otros tipos de baterías pueden reventar causando lesiones personales y daños.



**Cargue el paquete de baterías a temperaturas superiores a +40 grados F (4 grados C) e inferiores a +105 grados F (41 grados C). Guarde la herramienta y el paquete de baterías en lugares donde las temperaturas no superen 120 grados F (49 grados C).** Esto es importante para evitar daños graves a los elementos de la batería.

**Se puede producir un escape del líquido de las baterías bajo condiciones extremas de uso o de temperatura. Evite el contacto con la piel y los ojos.** El líquido de la batería es cáustico y podría causar quemaduras químicas en los tejidos. Si el líquido entra en contacto con la piel, lávela rápidamente con agua y jabón y luego con jugo de limón o vinagre. Si el líquido entra en contacto con los ojos, enjuáguelos con agua durante un mínimo de 10 minutos y obtenga atención médica.

**Ponga el cargador sobre superficies planas ininflamables y alejado de materiales inflamables cuando recargue el paquete de baterías.** El cargador y el paquete de baterías se calientan durante el proceso de carga. Las alfombras y otras superficies termoaislantes bloquean la circulación adecuada de aire, lo cual puede causar sobrecalentamiento del cargador y del paquete de baterías. Si observa humo o que la carcasa se está derritiendo, desenchufe inmediatamente el cargador y no utilice el paquete de baterías ni el cargador.

**El uso de un accesorio no recomendado ni vendido por Bosch puede constituir un peligro de incendio, sacudidas eléctricas o lesiones a las personas.**

### Cuidado de las baterías

**⚠ ADVERTENCIA** Cuando las baterías no están en la herramienta o en el cargador, manténgalas alejadas de objetos metálicos. Por ejemplo, para evitar que las terminales hagan cortocircuito, **NO** ponga las baterías en una caja de herramientas o en un bolsillo con clavos, tornillos, llaves, etc. Se pueden producir un incendio o lesiones.

**⚠ ADVERTENCIA** Para evitar incendios o lesiones cuando las baterías no estén en la herramienta o en el cargador, ponga siempre la tapa protectora en el extremo del paquete de baterías. La tapa protectora protege contra el cortocircuitado de los terminales.

**NO ARROJE LAS BATERIAS AL FUEGO NI LAS EXPONGA AL CALOR INTENSO.** Pueden explotar.

### Eliminación de las baterías

**⚠ ADVERTENCIA** No intente desarmar la batería ni quitar ninguno de los componentes que sobresalen de las terminales de la batería. Se pueden producir lesiones o un incendio. Antes de tirarla, proteja las terminales que están al descubierto con cinta adhesiva aislante gruesa para prevenir cortocircuitos.

#### BATERÍAS DE NIQUEL-CADMIO

Si este producto está equipado con una batería de níquel-cadmio, dicha batería debe recogerse, reciclarse o eliminarse de manera segura para el medio ambiente.



“El sello de reciclaje de baterías RBRC certificado por la EPA que se encuentra en la batería de níquel-cadmio (Ni-Cd) indica que Robert Bosch Tool Corporation está participando voluntariamente en un

programa de la industria para recoger y reciclar estas baterías al final de su vida útil, cuando se retiran de

servicio en los Estados Unidos y Canadá. El programa RBRC proporciona una alternativa conveniente a tirar las baterías de Ni-Cd usadas a la basura o a la corriente municipal de aguas residuales, lo cual quizás sea ilegal en su área.

Tenga la amabilidad de llamar al 1-800-8-BATTERY para obtener información acerca de las prohibiciones/restricciones sobre el reciclaje y la eliminación de baterías de Ni-Cd en su lugar o devuelva las baterías a un Centro de servicio Skil/Bosch/Dremel para reciclarlas. La participación de Robert Bosch Tool Corporation en este programa es parte de nuestro compromiso hacia preservar nuestro medio ambiente y conservar nuestros recursos naturales.”

#### BATERÍAS DE NIQUEL-HIDRURO METALICO

Si este producto está equipado con una batería de níquel-hidruro metálico, dicha batería debe eliminarse en un curso de agua municipal para residuos sólidos.

## Símbolos

**IMPORTANTE:** Es posible que algunos de los símbolos siguientes se usen en su herramienta. Por favor, estúdielos y aprenda su significado. La interpretación adecuada de estos símbolos le permitirá utilizar la herramienta mejor y con más seguridad.

Símbolo	Nombre	Designación/explicación
V	Volt	Tensión (potencial)
A	Ampere	Corriente
Hz	Hertz	Frecuencia (ciclos por segundo)
W	Watt	Potencia
kg	Kilogramo	Peso
min	Minuto	Tiempo
s	Segundo	Tiempo
∅	Diámetro	Tamaño de las brocas taladradoras, muelas, etc
n <sub>0</sub>	Velocidad sin carga	Velocidad rotacional sin carga
.../min	Revoluciones o alternación por minuto	Revoluciones, golpes, velocidad de superficie, órbitas, etc., por minuto
0	Posición "off" (apagado)	Velocidad cero, par motor cero...
1, 2, 3, ... I, II, III,	Graduaciones del selector	Graduaciones de velocidad, par motor o posición. Un número más alto significa mayor velocidad
	Selector infinitamente variable con apagado	La velocidad aumenta desde la graduación de 0
	Flecha	Acción en la dirección de la flecha
	Corriente alterna	Tipo o una característica de corriente
	Corriente continua	Tipo o una característica de corriente
	Corriente alterna o continua	Tipo o una característica de corriente
	Construcción de clase II	Designa las herramientas de construcción con aislamiento doble.
	Terminal de toma de tierra	Terminal de conexión a tierra
	Símbolo de advertencia	Alerta al usuario sobre mensajes de advertencia
	Sello RBRC de Ni-Cd	Designa el programa de reciclaje de baterías de Ni-Cd



Este símbolo indica que esta herramienta está catalogada por Underwriters Laboratories.



Este símbolo indica que Underwriters Laboratories ha catalogado esta herramienta indicando que cumple las normas canadienses.



Este símbolo indica que esta herramienta cumple con la norma mexicana oficial (NOM).



Este símbolo indica que esta herramienta está catalogada por la Canadian Standards Association.



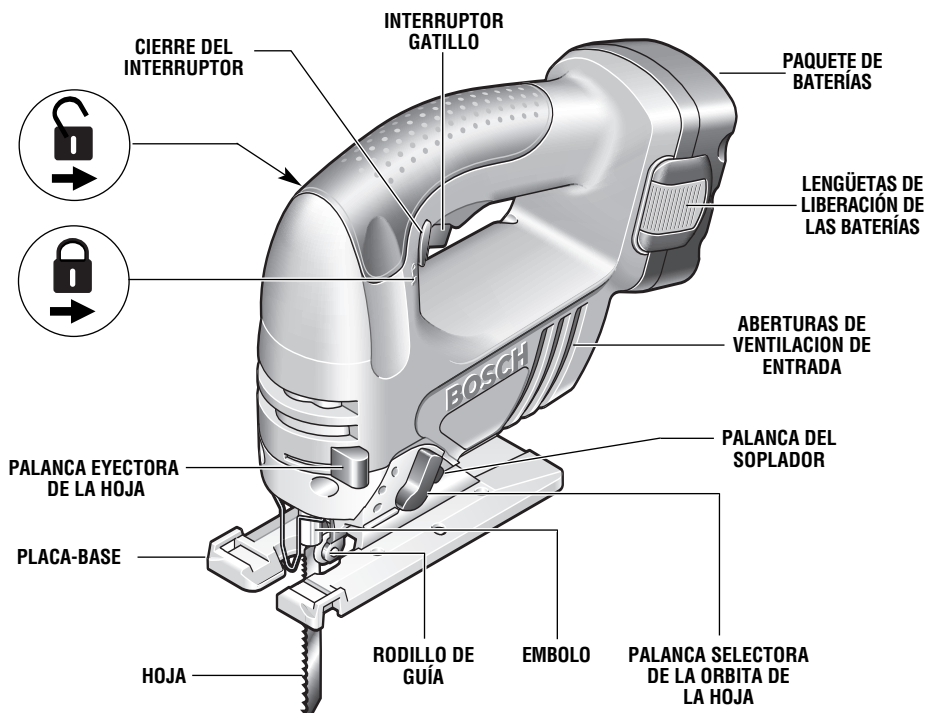
Este símbolo indica que esta herramienta está catalogada por Underwriters Laboratories y que Underwriters Laboratories la ha catalogado según las normas canadienses.

## Descripción funcional y especificaciones

**⚠ ADVERTENCIA** Desconecte el paquete de baterías de la herramienta o ponga el interruptor en la posición fijada o de apagado antes de hacer cualquier ensamblaje, ajustes o cambiar accesorios. Dichas medidas preventivas de seguridad reducen el riesgo de arrancar la herramienta accidentalmente.

### Sierras caladoras sin cordón

**FIG. 1**



<b>Número de modelo</b>	52314	52318	52524
Tensión nominal	14,4 V $\equiv$	18 V $\equiv$	24 V $\equiv$
Velocidad sin carga	$n_0$ 0-2 000/min	$n_0$ 0-2 000/min	$n_0$ 0 2000/min
<b>Capacidades máximas</b>			
Longitud de carrera	25 mm	25 mm	25 mm
Madera	64 mm	66 mm	70 mm
Aluminio	10 mm	11 mm	13 mm
Acero suave	2 mm	2 mm	3 mm
<b>Cargador</b>	BC001 a 6 y BC016 BC130 y BC230	BC003, 4, 6, y BC016 BC130 y BC230	BC004, 6, y BC016 BC130 y BC230
Tensión nominal	120 V $\sim$ 60 Hz	120 V $\sim$ 60 Hz	120 V $\sim$ 60 Hz
<b>Paquete de baterías</b>	BAT038 a BAT040 BAT140 a BAT159	BAT025 y BAT026 BAT160 a BAT189	BAT030 y BAT031 BAT240 a BAT299

El cargador BC006 requiere alimentación de 12 V CC

**NOTA: UTILICE ÚNICAMENTE LOS CARGADORES INDICADOS ANTERIORMENTE**

## Ensamblaje

### INSTALACION Y REMOCION DE LA HOJA

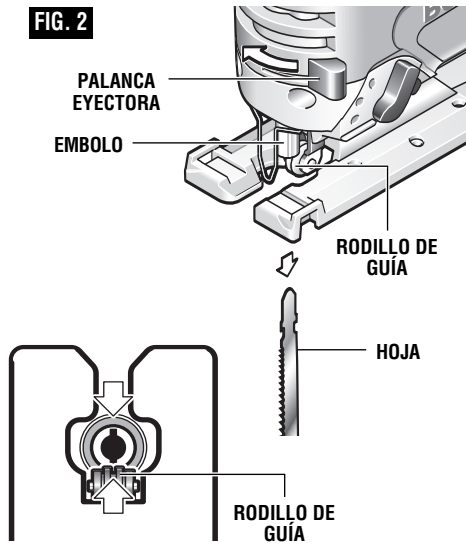
Esta sierra caladora está equipada con el sistema de cambio de hoja sin herramienta "Clic" de Bosch. Este sistema permite cambiar las hojas rápida y fácilmente. Introduzca la hoja de sierra (con los dientes en el sentido de corte) hasta que se acople en el émbolo. Al introducir la hoja de sierra, la parte posterior de la hoja debe descansar en la ranura del rodillo de guía (Fig. 2).

**Nota:** Si la hoja de sierra no puede introducirse en el émbolo, las ranuras del portahoja no están posicionadas tal como se muestra en la ilustración; empuje la palanca eyectora de la hoja brevemente hacia la parte delantera y suéltela.

Para cambiar la hoja de sierra, empuje la palanca eyectora hacia el tope central; esto suelta la hoja de sierra y la eyecta.

Al cambiar la hoja, la herramienta debe sujetarse de forma que la hoja se eyecte de manera segura.

FIG. 2



### COLOCACION DE LA SOBREPAPATA ANTIINDENTACIONES

La herramienta está equipada con una sobrepapata protectora de plástico que protege las superficies más finas.

Para colocar la sobrepapata, engánchela sobre la parte delantera de la placa-base de metal y acóplela a presión en su sitio en la parte trasera de la placa-base o sobrepapata antiindentaciones (Fig. 3).

### ACCESORIO DE INSERCIÓN ANTIASILLAS

Para minimizar el astillamiento de la superficie superior del material que se esté cortando, coloque el accesorio de inserción antiastillas en la abertura de la hoja que está en la placa-base.

**Nota:** Este accesorio de inserción sólo funciona con hojas que tengan lados amolados, como la T301CD, TB1B, T101D y T101DP.

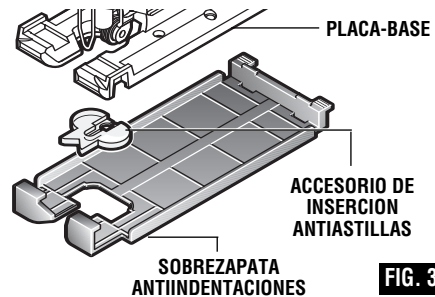


FIG. 3

## Instrucciones de funcionamiento

### CIERRE DEL INTERRUPTOR

El cierre del interruptor está diseñado para evitar los arranques accidentales. Para accionar el interruptor, oprima el botón de fijación del interruptor con el dedo pulgar hasta el símbolo de desbloqueo . Para bloquear el interruptor, oprima el botón de fijación del interruptor hasta el símbolo de bloqueo (Fig. 1).

### INTERRUPTOR GATILLO DE VELOCIDAD VARIABLE CONTROLADA

La herramienta está equipada con un interruptor gatillo de velocidad variable. La herramienta se puede encender

(posición "ON") o apagar (posición "OFF") apretando o soltando el gatillo. La velocidad se puede ajustar desde las CPM mínimas hasta las CPM máximas indicadas en la placa del fabricante por medio de la presión que usted ejerce sobre el gatillo. Ejercer más presión para aumentar la velocidad y disminuya la presión para reducir la velocidad (Fig. 1).





### FRENO

Quando se suelta el gatillo, éste activa el freno eléctrico para detener la hoja rápidamente. Este dispositivo es especialmente útil cuando se hacen cortes repetitivos.

**PALANCA SELECTORA DE LA ORBITA DE LA HOJA**

Puede lograrse una eficiencia de corte máxima ajustando la palanca selectora de la órbita de la hoja para convenir con el material que se esté cortando.

El cuadro siguiente le ayudará a determinar qué posición debe usar para la aplicación que desea realizar. La finalidad de este cuadro es servir solamente como recomendación y deben realizarse primero cortes de prueba en material de desecho para determinar la mejor posición.

- Posición 0**  

 Materiales duros, como metales o chapas metálicas finas. Posición usada con cuchillas, hojas de filo de grano abrasivo, en trabajo de raspado y con hojas de corte hacia abajo.
- Posición 1**  

 Materiales blandos donde se realizan cortes más limpios o trabajo de contorno delicado.
- Posición 2**  

 Materiales de densidad intermedia, como maderas más duras o tablero de partículas de madera.
- Posición 3**  

 Materiales blandos, como madera, plásticos, etc., y cuando el corte rápido sea más importante que un corte limpio.

**SOPLADOR DE VIRUTAS**

La sierra caladora está equipada con un soplador de virutas de dos posiciones para ayudar a mantener la línea de corte libre de virutas.

Al ajustar la palanca del soplador de virutas, la fuerza de la descarga de aire puede alterarse de la manera siguiente:



**SOPLADOR ENCENDIDO**

Para trabajar con madera, plástico y materiales similares que producen grandes cantidades de serrín.



**SOPLADOR APAGADO**

Para trabajar con metales y cuando se utilicen agentes refrigerantes.

**AJUSTE DEL ANGULO DE LA PLACA-BASE**

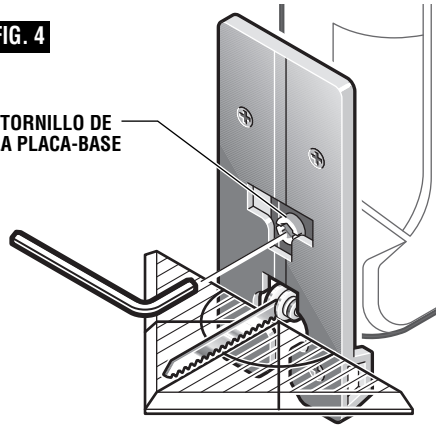
La placa-base puede inclinarse para permitir realizar cortes en ángulo de hasta 45° en cualquier sentido.

Para ajustar la placa-base, afloje el tornillo con la llave Allen suministrada, deslice la placa-base ligeramente hacia adelante, hacia la parte delantera de la herramienta, y luego gírela hasta el ángulo deseado. Las ranuras de retén sujetarán la placa-base firmemente a 45° y hay marcas de posición adicionales para ángulos de 15° y 30°. Pueden ajustarse ángulos intermedios con un transportador

de ángulos. Después de posicionar la placa-base, apriete firmemente el tornillo (Fig. 4).

**FIG. 4**

**TORNILLO DE LA PLACA-BASE**



**CORTE AL RAS**

Para permitir que la sierra haga un corte perpendicular cerca de una superficie vertical, la placa-base debe reubicarse de la manera siguiente.

Afloje el tornillo, mueva la placa-base de vuelta a la ranura de alineación a 0° y apriete firmemente el tornillo. Tenga en cuenta que cuando la placa-base se retrae de esta manera, solamente es posible realizar cortes a 90°, y que la guía de corte opcional y la guía del accesorio de inserción antiastillas no pueden utilizarse.

**CONSEJOS PARA LA HERRAMIENTA**

Asegúrese siempre de que las piezas de trabajo más pequeñas estén sujetas firmemente a un banco u otro soporte. Los paneles más grandes pueden sujetarse en su sitio mediante abrazaderas sobre un banco o caballetes de aserrar.

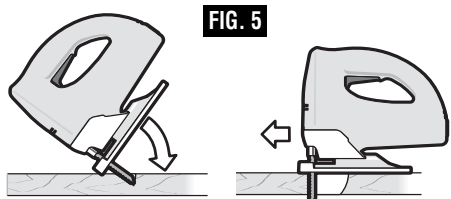
Para comenzar un corte, marque claramente la línea de corte y apoye la parte delantera de la placa-base sobre la pieza de trabajo. Accione el interruptor y mueva la hoja hacia el interior de la pieza de trabajo utilizando solamente suficiente presión hacia adelante para mantener la hoja cortando uniformemente. No fuerce la sierra, ya que esto no hará que corte más rápidamente; deje que la hoja haga el trabajo.

Seleccione las hojas cuidadosamente, ya que la capacidad de la sierra caladora para seguir curvas, proporcionar acabados más lisos o realizar cortes más rápidamente está relacionada directamente con el tipo de hoja que se utilice.

**CORTE MEDIANTE DESCENSO VERTICAL**

El corte mediante descenso vertical es útil y ahorra tiempo al hacer aberturas bastas en materiales más blandos. No es necesario hacer un agujero para un corte interior o de bolsillo. Trace líneas para la abertura, agarre la sierra firmemente e inclínela hacia adelante para que la

punta de la base de la sierra esté apoyada sobre la pieza de trabajo, pero con la hoja bien alejada de la pieza de trabajo. Arranque el motor y luego baje la hoja muy gradualmente. Cuando haga contacto, continúe ejerciendo presión hacia abajo sobre la punta de la base de la sierra, haciendo pivotar la sierra lentamente como una bisagra hasta que la hoja corte y la base se apoye horizontalmente sobre la pieza de trabajo. Luego, aserre hacia adelante siguiendo la línea de corte. No recomendamos el corte mediante descenso vertical con una hoja para desplazamiento continuo (Fig. 5).



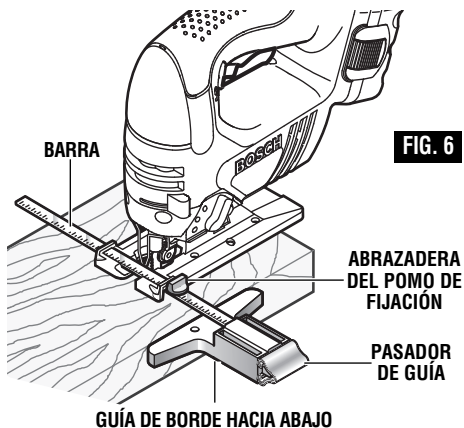
Para hacer esquinas muy pronunciadas, corte hasta la esquina y luego retroceda ligeramente antes de rodear la esquina. Después de terminar la abertura, vuelva a cada esquina y córtela desde el sentido contrario para completar el ángulo recto. No intente cortar mediante descenso vertical en materiales duros como por ejemplo acero.

### GUÍA DE CORTE CIRCULAR Y PARALELO

Este accesorio se encuentra disponible a un costo adicional. Se utiliza para cortes recto y circular rápidos y precisos (Fig. 6).

#### COLOCACIÓN DE LA GUÍA

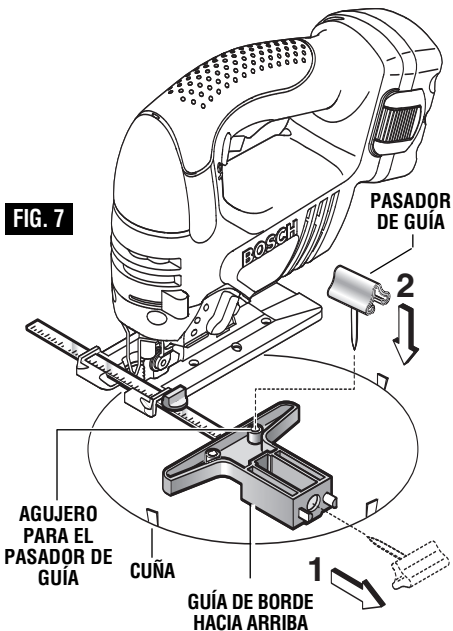
1. Introduzca la barra de la guía a través de la abrazadera del pomo de fijación y luego a través de las ranuras provistas en el pie, desde cualquiera de los lados de dicho pie, con la guía de borde orientada hacia abajo (Fig. 6).



2. Enganche la abrazadera del pomo de fijación sobre el borde de la placa-base, ajuste el tope-guía a la anchura deseada y apriete firmemente la abrazadera del pomo de fijación.

### CORTES EN CÍRCULO

1. Antes de colocar la guía, dibuje un círculo y pretaladre un agujero central de 13/64" en la pieza de trabajo.
2. Perfore o corte mediante descenso vertical cerca del borde del círculo, apague la sierra y mueva el cierre del interruptor hasta la posición de fijación.
3. Coloque la guía en la sierra con la guía de borde orientada hacia ARRIBA de la manera que se muestra en la ilustración (Fig. 7).
4. Quite el pasador de guía del extremo de la guía y empuje dicho pasador a través del agujero provisto en la guía y luego al interior del agujero central de la pieza de trabajo.



5. Mida la distancia desde el agujero seleccionado hasta la hoja. Debe ser igual al radio del círculo.
6. Mueva el cierre del interruptor hasta la posición desbloqueada, sujete la sierra firmemente, apriete el gatillo y empuje la sierra lentamente hacia adelante. Para hacer un agujero, corte desde dentro del círculo; para hacer ruedas o discos, corte desde fuera.

Consejo para cortar: Corte lentamente para que la hoja permanezca recta en el corte. Coloque pequeñas cuñas en el corte, tal como se muestra en la Fig. 7, para evitar que el círculo interior se separe cuando usted esté cerca del final del corte.

### LIBERACION E INSERCIÓN DEL PAQUETE DE BATERÍAS

Saque el paquete de baterías de la herramienta presionando sobre ambos lados de las lengüetas de liberación de las baterías y tire hacia abajo. Antes de introducir el paquete de baterías, quite la tapa

protectora de dicho paquete de baterías. Para introducir la batería, alinee la batería e introduzca el paquete de baterías en la herramienta hasta que quede fijo en su posición. No lo fuerce.

### NOTAS IMPORTANTES PARA CARGAR

1. El paquete de baterías acepta únicamente alrededor del 80 por ciento de su capacidad máxima en los primeros ciclos de carga. Sin embargo, después de los primeros ciclos de carga, la batería se cargará hasta su capacidad máxima.
2. El cargador fue diseñado para cargar la batería rápidamente sólo cuando la temperatura de la batería está entre 4°C (40°F) y 41°C (105°F).
3. Un descenso considerable en el tiempo de funcionamiento por carga puede significar que el paquete de baterías se está acercando al final de su vida y que debe ser sustituido.
4. Si espera que haya largos períodos (es decir, un mes o más) en los que no se use la herramienta, lo mejor es hacerla funcionar hasta que esté completamente descargada antes de guardar el paquete de baterías. Después de un largo período de almacenamiento, la capacidad después de la primera recarga será más baja. La capacidad normal se restaurará en dos o tres ciclos de carga/descarga.

Recuerde desenchufar el cargador durante el período de almacenamiento.

5. Si la batería no carga adecuadamente:

- a. Compruebe que hay tensión en el tomacorriente enchufando algún otro dispositivo eléctrico.
- b. Compruebe si el tomacorriente está conectado a un interruptor de luz que corta el suministro de energía cuando se apagan las luces.
- c. Compruebe si hay suciedad en las terminales del paquete de baterías. Límpielas con un pedazo de algodón y alcohol si es necesario.

d. Si usted sigue sin obtener una carga adecuada, lleve o envíe la herramienta, el paquete de baterías y el cargador al Centro de servicio Bosch local. Busque bajo "Herramientas eléctricas" en las páginas amarillas para obtener nombres y direcciones.

**Nota:** La utilización de cargadores o paquetes de batería no vendidos por Bosch anulará la garantía.

### CARGA DEL PAQUETE DE BATERÍAS (CON BAHIA UNICA DE 30 MINUTOS BC130)

#### INDICADORES, SIMBOLOS Y SIGNIFICADO

Si la luz indicadora verde está apagada, el cargador no está recibiendo energía del tomacorriente de alimentación.



Si la luz indicadora verde está "ENCENDIDA", el cargador está enchufado pero el paquete de baterías no está introducido o el paquete de baterías se encuentra totalmente cargado y está siendo cargado continua y lentamente.



Si la luz indicadora verde "PARPADEA", el paquete de baterías está siendo cargado rápidamente. La carga rápida terminará automáticamente cuando el paquete de baterías esté totalmente cargado.



Si la luz indicadora roja está "ENCENDIDA", el paquete de baterías está demasiado caliente o demasiado frío para la carga rápida. El cargador cambiará a carga continua y lenta hasta que se alcance una temperatura adecuada, momento en el cual el cargador cambiará automáticamente a carga rápida.



Si la luz indicadora roja "PARPADEA", el paquete de baterías no puede aceptar una carga o los contactos del cargador o del paquete de baterías están contaminados. Limpie los contactos del cargador o del paquete de baterías únicamente tal como se indica en estas instrucciones de funcionamiento o en las que se suministran con la herramienta o con el paquete de baterías.

Enchufe el cordón del cargador en un tomacorriente eléctrico estándar. Antes de introducir el paquete de baterías, quite la tapa protectora y luego introduzca el paquete de baterías en el cargador (Fig. 8).

La luz indicadora verde del cargador comenzará a "PARPADEAR". Esto indica que la batería está recibiendo una carga rápida. La carga rápida se detendrá automáticamente cuando el paquete de baterías esté completamente cargado.

Cuando la luz indicadora deje de "PARPADEAR" (y se vuelva una luz verde constante), la carga rápida habrá terminado.

El paquete de baterías se puede usar incluso aunque la luz siga parpadeando. Puede que tenga que pasar más tiempo para que la luz deje de parpadear, según la temperatura. Cuando comience el proceso de carga del paquete de baterías, una luz roja constante también

podría significar que el paquete de baterías está demasiado caliente o demasiado frío.

El propósito de la luz verde es indicar que el paquete de baterías se está cargando rápidamente. No indica el punto exacto de carga completa. La luz dejará de parpadear en menos tiempo si el paquete de baterías no estaba completamente descargado.

Al cargar varias baterías en secuencia, es posible que el tiempo de carga aumente ligeramente.

Cuando el paquete de baterías esté completamente cargado, desenchufe el cargador (a menos que vaya a cargar otro paquete de baterías) y vuelva a introducir el paquete de baterías en la herramienta.

Para evitar incendios o lesiones cuando las baterías no estén en la herramienta o en el cargador, ponga siempre la tapa protectora en el extremo del paquete de baterías.

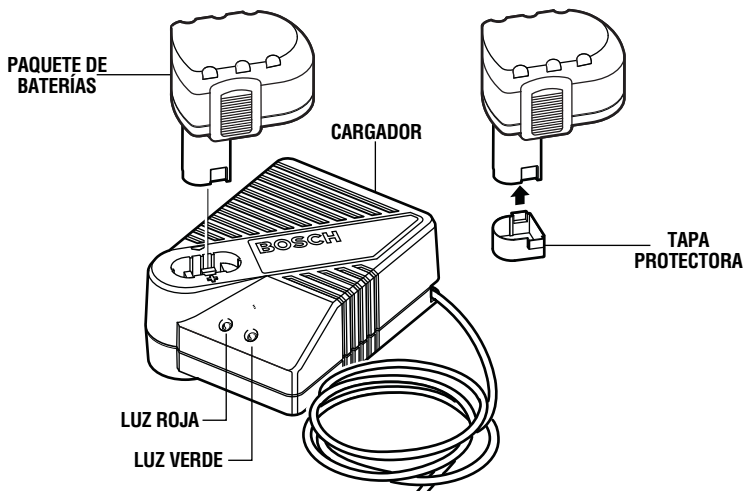


FIG. 8



### CARGA DEL PAQUETE DE BATERÍAS (CON DOS BAHÍAS DE 30 MINUTOS BC230)

#### INDICADORES, SIMBOLOS Y SIGNIFICADO

Si la luz indicadora verde está apagada, el cargador no está recibiendo energía del tomacorriente de alimentación.



Si la luz indicadora roja está "ENCENDIDA", el paquete de baterías está demasiado caliente o demasiado frío para la carga rápida. El cargador cambiará a carga continua y lenta hasta que se alcance una temperatura adecuada, momento en el cual el cargador cambiará automáticamente a carga rápida.



Si la luz indicadora roja "PARPADEA", el paquete de baterías no puede aceptar una carga o los contactos del cargador o del paquete de baterías están contaminados. Limpie los contactos

del cargador o del paquete de baterías únicamente tal como se indica en estas instrucciones de funcionamiento o en las que se suministran con la herramienta o con el paquete de baterías.



Si la luz indicadora verde "PARPADEA", el paquete de baterías está siendo cargado rápidamente. La carga rápida terminará automáticamente cuando el paquete de baterías esté totalmente cargado.



Si la luz indicadora verde está "ENCENDIDA", el cargador está enchufado pero el paquete de baterías no está introducido o el paquete de baterías se encuentra totalmente cargado y está siendo cargado continua y lentamente.

Enchufe el cordón del cargador en un tomacorriente eléctrico estándar. Antes de introducir el paquete de baterías, quite la tapa protectora y luego introduzca el paquete de baterías en el cargador (Fig. 9).

La luz indicadora verde del cargador comenzará a "PARPADEAR". Esto indica que la batería está recibiendo una carga rápida. La carga rápida se detendrá automáticamente cuando el paquete de baterías esté completamente cargado.

Cuando la luz indicadora deje de "PARPADEAR" (y se vuelva una luz verde constante), la carga rápida habrá terminado.

El paquete de baterías se puede usar incluso aunque la luz siga parpadeando. Puede que tenga que pasar más tiempo para que la luz deje de parpadear, según la temperatura. Cuando comience el proceso de carga del paquete de baterías, una luz roja constante

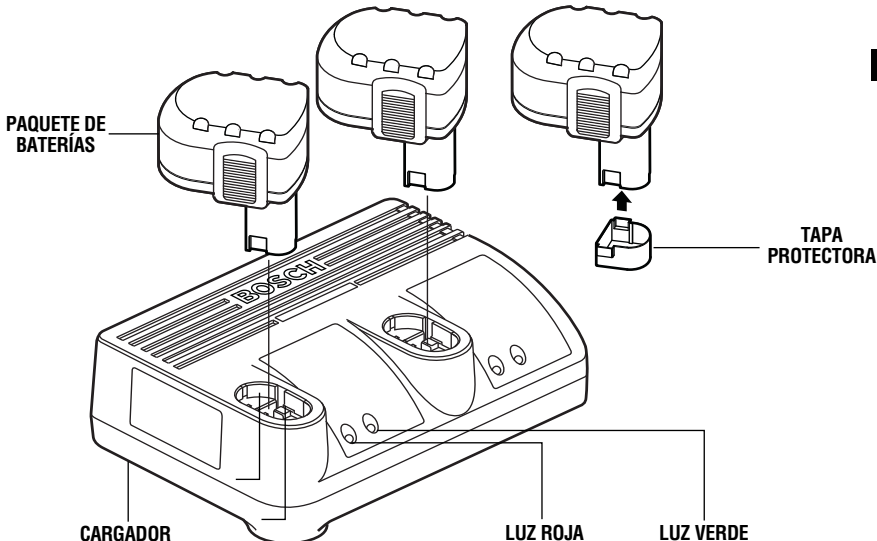
también podría significar que el paquete de baterías está demasiado caliente o demasiado frío.

El propósito de la luz verde es indicar que el paquete de baterías se está cargando rápidamente. No indica el punto exacto de carga completa. La luz dejará de parpadear en menos mas tiempo hora si el paquete de baterías no estaba completamente descargado.

Al cargar varias baterías en secuencia, es posible que el tiempo de carga aumente ligeramente.

Cuando el paquete de baterías esté completamente cargado, desenchufe el cargador (a menos que vaya a cargar otro paquete de baterías) y vuelva a introducir el paquete de baterías en la herramienta.

Para evitar incendios o lesiones cuando las baterías no estén en la herramienta o en el cargador, ponga siempre la tapa protectora en el extremo del paquete de baterías.



### CARGA DEL PAQUETE DE BATERÍAS (CARGADOR DE 1 HORA)

Enchufe el cordón del cargador en un tomacorriente eléctrico estándar. Antes de introducir el paquete de baterías, quite la tapa protectora y luego introduzca el paquete de baterías en el cargador (Fig. 10).

El indicador verde del cargador comenzará a "PARPADEAR". Esto indica que la batería está recibiendo una carga rápida. La carga rápida se detendrá automáticamente cuando el paquete de baterías esté completamente cargado.

Cuando la luz indicadora deje de "PARPADEAR" (y pase a ser una luz verde constante), la carga rápida se habrá completado.

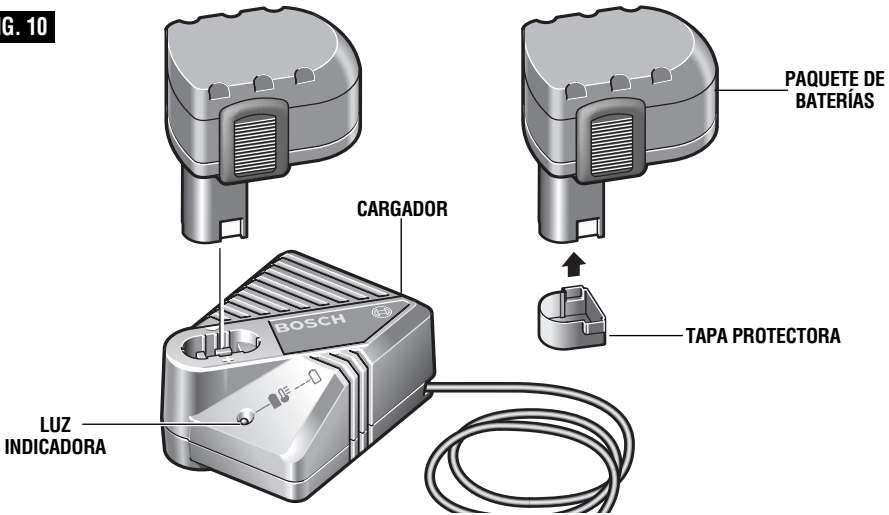
Cuando comience el proceso de carga del paquete de baterías, una luz verde constante también podría significar que el paquete de baterías está demasiado caliente o demasiado frío.

El propósito de la luz es indicar que el paquete de baterías se está cargando rápidamente. No indica el punto exacto de carga completa. La luz dejará de parpadear en menos mas tiempo hora si el paquete de baterías no estaba completamente descargado.

Cuando el paquete de baterías esté completamente cargado, desenchufe el cargador (a menos que vaya a cargar otro paquete de baterías) y deslice el paquete de baterías de vuelta en el interior del mango de la herramienta.

Para evitar incendios o lesiones cuando las baterías no estén en la herramienta o en el cargador, ponga siempre la tapa protectora en el extremo del paquete de baterías. La tapa protectora protege contra el cortocircuitado de los terminales.

**FIG. 10**



## Mantenimiento

### Servicio

**⚠ ADVERTENCIA** **NO HAY PIEZAS EN EL INTERIOR QUE PUEDAN SER AJUSTADAS O REPARADAS POR EL USUARIO. El mantenimiento preventivo realizado por personal no autorizado puede dar lugar a la colocación incorrecta de cables y componentes internos que podría constituir un peligro serio.** Recomendamos que todo el servicio de las herramientas sea realizado en un Centro de servicio de fábrica Bosch o en una Estación de servicio Bosch autorizada. **TECNICOS DE REPARACIONES:** Desconecten la herramienta y/o el cargador de la fuente de energía antes de realizar servicio de ajustes y reparaciones.

### BATERÍAS

**Esté alerta a los paquetes de baterías que estén aproximándose al final de su vida útil.** Si observa una disminución del rendimiento de la herramienta o un tiempo de funcionamiento significativamente más corto entre cargas, entonces ha llegado el momento de cambiar el paquete de baterías. Si no se hace esto, el resultado puede ser que la herramienta funcione incorrectamente o que el cargador se dañe.

**Cuando la batería se almacene a largo plazo, debe estar en estado de descarga.** Los paquetes de baterías duran más y se recargan mejor cuando se almacenan descargados. Recuerde recargar completamente los paquetes de baterías antes de utilizarlos después de un almacenamiento prolongado.

### LUBRICACION DE LAS HERRAMIENTAS

Su herramienta Bosch ha sido lubricada adecuadamente y está lista para la utilización.

### MOTORES "CORRIENTE DIRECTA"

El motor de la herramienta ha sido diseñado para muchas horas de servicio fiable. Para mantener un rendimiento óptimo del motor, recomendamos que éste sea examinado cada seis meses. Sólo se debe usar un motor de repuesto Bosch genuino diseñado especialmente para la herramienta.

### Limpieza

**⚠ ADVERTENCIA** **Para evitar accidentes, desconecte siempre la herramienta y/o el cargador de la fuente de energía antes de la limpieza.** La herramienta se puede limpiar más eficazmente con aire comprimido seco. **Use gafas de seguridad siempre que limpie herramientas con aire comprimido.**

Las aberturas de ventilación y las palancas de interruptor deben mantenerse limpias y libres de materias extrañas. No intente limpiar introduciendo objetos puntiagudos a través de las aberturas.

**⚠ PRECAUCION** **Ciertos agentes de limpieza y disolventes dañan las piezas de plástico.** Algunos de estos son: gasolina, tetracloruro de carbono, disolventes de limpieza clorados, amoníaco y detergentes domésticos que contienen amoníaco.

## Accesorios

**⚠ ADVERTENCIA** **Si es necesario un cordón de extensión, se debe usar un cordón con conductores de tamaño adecuado que sea capaz de transportar la corriente necesaria para la herramienta.** Esto evitará caídas de tensión excesivas, pérdida de potencia o recalentamiento. Las herramientas conectadas a tierra deben usar cordones de extensión de 3 hilos que tengan enchufes de 3 terminales y receptáculos para 3 terminales.

**NOTA:** Cuanto más pequeño es el número de calibre, más grueso es el cordón.

### TAMAÑOS RECOMENDADOS DE CORDONES DE EXTENSION HERRAMIENTAS DE 120 V CORRIENTE ALTERNA

Capacidad nominal en amperes de la herramienta	Tamaño del cordón en A.W.G.				Tamaños del cable en mm <sup>2</sup>			
	Longitud del cordón en pies				Longitud del cordón en metros			
	25	50	100	150	15	30	60	120
3-6	18	16	16	14	0,75	0,75	1,5	2,5
6-8	18	16	14	12	0,75	1,0	2,5	4,0
8-10	18	16	14	12	0,75	1,0	2,5	4,0
10-12	16	16	14	12	1,0	2,5	4,0	—
12-16	14	12	—	—	—	—	—	—

(\* = equipo estándar)

(\*\* = accesorios opcionales)

\* Estuche de transporte\* (Modelo 52324 solamente)

\*\* Guía de corte circular y paralelo

\*\* Cargador de 15 minutos

\*\* Cargador de 30 minutos (con bahía única)

\*\* Cargador de 30 minutos (con dos bahías)

\*\* Cargador de una hora

### LIMITED WARRANTY OF BOSCH PORTABLE AND BENCHTOP POWER TOOLS

Robert Bosch Tool Corporation ("Seller") warrants to the original purchaser only, that all BOSCH portable and benchtop power tools will be free from defects in material or workmanship for a period of one year from date of purchase. SELLER'S SOLE OBLIGATION AND YOUR EXCLUSIVE REMEDY under this Limited Warranty and, to the extent permitted by law, any warranty or condition implied by law, shall be the repair or replacement of parts, without charge, which are defective in material or workmanship and which have not been misused, carelessly handled, or misrepaired by persons other than Seller or Authorized Service Station. To make a claim under this Limited Warranty, you must return the complete portable or benchtop power tool product, transportation prepaid, to a BOSCH Factory Service Center or Authorized Service Station. For Authorized BOSCH Power Tool Service Stations, please refer to your phone directory.

THIS LIMITED WARRANTY DOES NOT APPLY TO ACCESSORY ITEMS SUCH AS CIRCULAR SAW BLADES, DRILL BITS, ROUTER BITS, JIGSAW BLADES, SANDING BELTS, GRINDING WHEELS AND OTHER RELATED ITEMS.

ANY IMPLIED WARRANTIES SHALL BE LIMITED IN DURATION TO ONE YEAR FROM DATE OF PURCHASE. SOME STATES IN THE U.S., SOME CANADIAN PROVINCES DO NOT ALLOW LIMITATIONS ON HOW LONG AN IMPLIED WARRANTY LASTS, SO THE ABOVE LIMITATION MAY NOT APPLY TO YOU.

IN NO EVENT SHALL SELLER BE LIABLE FOR ANY INCIDENTAL OR CONSEQUENTIAL DAMAGES (INCLUDING BUT NOT LIMITED TO LIABILITY FOR LOSS OF PROFITS) ARISING FROM THE SALE OR USE OF THIS PRODUCT. SOME STATES IN THE U.S. AND SOME CANADIAN PROVINCES DO NOT ALLOW THE EXCLUSION OR LIMITATION OF INCIDENTAL OR CONSEQUENTIAL DAMAGES, SO THE ABOVE LIMITATION OR EXCLUSION MAY NOT APPLY TO YOU.

THIS LIMITED WARRANTY GIVES YOU SPECIFIC LEGAL RIGHTS, AND YOU MAY ALSO HAVE OTHER RIGHTS WHICH VARY FROM STATE TO STATE IN THE U.S., PROVINCE TO PROVINCE IN CANADA AND FROM COUNTRY TO COUNTRY.

THIS LIMITED WARRANTY APPLIES ONLY TO PORTABLE AND BENCHTOP ELECTRIC TOOLS SOLD WITHIN THE UNITED STATES OF AMERICA, CANADA AND THE COMMONWEALTH OF PUERTO RICO. FOR WARRANTY COVERAGE WITHIN OTHER COUNTRIES, CONTACT YOUR LOCAL BOSCH DEALER OR IMPORTER.

### GARANTIE LIMITÉE DES OUTILS ÉLECTRIQUES PORTATIFS ET D'ÉTABLI BOSCH

Robert Bosch Tool Corporation (le « vendeur ») garantit à l'acheteur initial seulement que tous les outils électriques portatifs et d'établi BOSCH seront exempts de vices de matériaux ou d'exécution pendant une période d'un an depuis la date d'achat. LA SEULE OBLIGATION DU VENDEUR ET LE SEUL RECOURS DE L'ACHETEUR sous la présente garantie limitée, et en autant que la loi le permette sous toute garantie ou condition implicite qui en découlerait, sera l'obligation de remplacer ou réparer gratuitement les pièces défectueuses matériellement ou comme fabrication, pourvu que lesdites défectosités ne soient pas attribuables à un usage abusif ou à quelque réparation bricolée par quelqu'un d'autre que le vendeur ou le personnel d'une station-service agréée. Pour présenter une réclamation en vertu de cette garantie limitée, vous devez renvoyer l'outil électrique portatif ou d'établi complet, port payé, à tout centre de service agréé ou centre de service usine. Veuillez consulter votre annuaire téléphonique pour les adresses.

LA PRÉSENTE GARANTIE NE S'APPLIQUE PAS AUX ACCESSOIRES TELS QUE LAMES DE SCIES CIRCULAIRES, MÊCHES DE PERCEUSES, FERS DE TOUPIES, LAMES DE SCIES SAUTEUSES, COURROIES DE PONÇAGE, MEULES ET AUTRES ARTICLES DU GENRE.

TOUTE GARANTIE IMPLICITE SERA LIMITÉE COMME DURÉE À UN AN À COMPTER DE LA DATE D'ACHAT. CERTAINS ÉTATS AMÉRICAINS, CERTAINES PROVINCES CANADIENNES N'ADMETTANT PAS LE PRINCIPE DE LA LIMITATION DE LA DURÉE DES GARANTIES IMPLICITES, IL EST POSSIBLE QUE LES LIMITATIONS CI-DESSUS NE S'APPLIQUENT PAS À VOTRE CAS.

EN AUCUN CAS LE VENDEUR NE SAURAIT ÊTRE TENU POUR RESPONSABLE DES INCIDENTS OU DOMMAGES INDIRECTS (INCLUANT, MAIS NE SE LIMITANT PAS AUX PERTES DE PROFITS) CONSÉCUTIFS À LA VENTE OU L'USAGE DE CE PRODUIT. CERTAINS ÉTATS AMÉRICAINS ET CERTAINES PROVINCES CANADIENNES N'ADMETTANT PAS LE PRINCIPE DE LA LIMITATION NI L'EXCLUSION DES DOMMAGES INDIRECTS ET CONSÉQUENTIELS, IL EST POSSIBLE QUE LES LIMITATIONS OU EXCLUSIONS CI-DESSUS NE S'APPLIQUENT PAS À VOTRE CAS.

LA PRÉSENTE GARANTIE VOUS ACCORDE DES DROITS BIEN DÉTERMINÉS, Y COMPRIS POSSIBLEMENT CERTAINS DROITS VARIABLES DANS LES DIFFÉRENTS ÉTATS AMÉRICAINS, PROVINCES CANADIENNES ET DE PAYS À PAYS.

CETTE GARANTIE LIMITÉE NE S'APPLIQUE QU'ÀUX OUTILS ÉLECTRIQUES PORTATIFS ET D'ÉTABLI VENDUS AUX ÉTATS-UNIS D'AMÉRIQUE, AU CANADA ET AU COMMONWEALTH DE PORTO RICO. POUR COUVERTURE DE GARANTIE DANS LES AUTRES PAYS, CONTACTEZ VOTRE IMPORTATEUR OU REVENDEUR BOSCH LOCAL.

### GARANTIA LIMITADA PARA HERRAMIENTAS MECANICAS PORTATILES Y PARA TABLERO DE BANCO BOSCH

Robert Bosch Tool Corporation ("el Vendedor") garantiza, únicamente al comprador original, que todas las herramientas mecánicas portátiles y para tablero de banco BOSCH estarán libres de defectos de material o de fabricación durante un período de un año a partir de la fecha de compra. LA ÚNICA OBLIGACION DEL VENDEDOR Y EL RECURSO EXCLUSIVO QUE USTED TIENE bajo esta Garantía Limitada y, hasta donde la ley lo permita, bajo cualquier garantía o condición implícita por ley, consistirá en la reparación o sustitución sin costo de las piezas que presenten defectos de material o de fabricación y que no hayan sido utilizadas incorrectamente, manejadas descuidadamente o reparadas incorrectamente por personas que no sean el Vendedor o una Estación de servicio autorizada. Para efectuar una reclamación bajo esta Garantía Limitada, usted debe devolver el producto, que consiste en la herramienta mecánica portátil o para tablero de banco completa, con el transporte pagado, a cualquier Centro de servicio de fábrica o Estación de servicio autorizada. Para Estaciones de servicio autorizadas de herramientas mecánicas BOSCH, por favor, consulte el directorio telefónico.

ESTA GARANTIA LIMITADA NO SE APLICA A ARTICULOS ACCESORIOS TALES COMO HOJAS PARA SIERRAS CIRCULARES, BROCAS PARA TALADROS, BROCAS PARA FRESADORAS, HOJAS PARA SIERRAS DE VAIVEN, CORREAS PARA LIJAR, RUEDAS DE AMOLAR Y OTROS ARTICULOS RELACIONADOS.

TODAS LAS GARANTIAS IMPLICITAS TENDRAN UNA DURACION LIMITADA A UN AÑO A PARTIR DE LA FECHA DE COMPRA. ALGUNOS ESTADOS DE LOS EE.UU. Y ALGUNAS PROVINCIAS CANADIENSES NO PERMITEN LIMITACIONES EN CUANTO A LA DURACION DE UNA GARANTIA IMPLICITA, POR LO QUE ES POSIBLE QUE LA LIMITACION ANTERIOR NO SEA APLICABLE EN EL CASO DE USTED.

EL VENDEDOR NO SERA RESPONSABLE EN NINGUN CASO DE NINGUN DAÑO INCIDENTAL O EMERGENTE (INCLUYENDO PERO NO LIMITADO A RESPONSABILIDAD POR PERDIDA DE BENEFICIOS) QUE SE PRODUZCA COMO CONSECUENCIA DE LA VENTA O UTILIZACION DE ESTE PRODUCTO. ALGUNOS ESTADOS DE LOS EE.UU. Y ALGUNAS PROVINCIAS CANADIENSES NO PERMITEN LA EXCLUSION O LIMITACION DE LOS DAÑOS INCIDENTALES O EMERGENTES, POR LO QUE ES POSIBLE QUE LA LIMITACION O EXCLUSION ANTERIOR NO SEA APLICABLE EN EL CASO DE USTED.

ESTA GARANTIA LIMITADA LE CONFIERE A USTED DERECHOS LEGALES ESPECIFICOS Y ES POSIBLE QUE USTED TAMBIEN TENGA OTROS DERECHOS QUE VARIAN DE ESTADO A ESTADO EN LOS EE.UU., DE PROVINCIA A PROVINCIA EN CANADA Y DE UN PAIS A OTRO.

ESTA GARANTIA LIMITADA SE APLICA SOLAMENTE A HERRAMIENTAS ELECTRICAS PORTATILES Y PARA TABLERO DE BANCO VENDIDAS EN LOS ESTADOS UNIDOS DE AMERICA, CANADA Y EL ESTADO LIBRE ASOCIADO DE PUERTO RICO. PARA COBERTURA DE GARANTIA EN OTROS PAISES, PONGASE EN CONTACTO CON SU DISTRIBUIDOR O IMPORTADOR LOCAL DE BOSCH.

© Robert Bosch Tool Corporation 1800 W. Central Road Mt. Prospect, IL 60056-2230

Exportado por: Robert Bosch Tool Corporation Mt. Prospect, IL 60056 -2230, E.U.A.

Importado en México por: Robert Bosch, S.A. de C.V., Calle Robert Bosch No. 405, Zona Industrial, Toluca, Edo. de México, C.P. 50070, Tel. (722) 2792300